



Color: Bronze

Weight: 2.3 lbs

| | |
|---------------------|--------------|
| Project: | Type: |
| Prepared By: | Date: |

| Driver Info | | LED Info | |
|-------------|------------------|----------------|---------------|
| Type | Constant Current | Watts | 4W |
| 120V | 0.04A | Color Temp | 3000K |
| 208V | 0.02A | Color Accuracy | 83 CRI |
| 240V | 0.02A | L70 Lifespan | 100,000 Hours |
| 277V | 0.02A | Lumens | 195 lm |
| Input Watts | 4.2W | Efficacy | 46.5 |

Technical Specifications

Compliance

UL Listed:

Suitable for wet locations

IP Rating:

Ingress protection rating of IP65 for dust and water

IESNA LM-79 & LM-80 Testing:

RAB LED luminaires and LED components have been tested by an independent laboratory in accordance with IESNA LM-79 and LM-80.

LED Characteristics

LEDs:

Long-life, high-efficacy, discrete, surface-mount LEDs

Color Consistency:

7-step MacAdam Ellipse binning to achieve consistent fixture-to-fixture color

Color Uniformity:

RAB's range of Correlated Color Temperature follows the guidelines of the American National Standard for (SSL) Products, ANSI C78.377-2017.

Electrical

Driver:

Constant Current, Class 2, 120-277V, 50/60 Hz, 120V: 0.04A, 208V: 0.02A, 240V: 0.02A, 277V: 0.02A

THD:

20.4% at 120V, 10.0% at 277V

Power Factor:

97.8% at 120V, 89.7% at 277V

Dim to Off:

No

Aux Power Supply:

No

Construction

Cold Weather Starting:

The minimum starting temperature is -40°C (-40°F)

Maximum Ambient Temperature:

Suitable for use in up to 45°C (113°F)

Housing:

Die-cast aluminum

Lens:

Polycarbonate lens

Gaskets:

High-temperature silicone

Finish:

Formulated for high durability and long-lasting color

Green Technology:

Mercury and UV free. RoHS-compliant components.

Installation

Mounting:

Octangular J-Box or bracket for the wall-mount (J-Box not provided)

Other

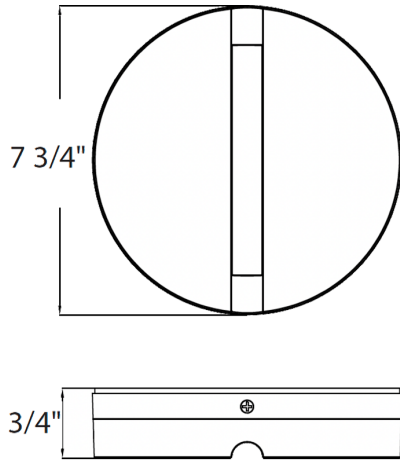
5 Yr Limited Warranty:

The RAB 5-year, limited warranty covers light output, driver performance and paint finish. RAB's warranty is subject to all terms and conditions found at rablighting.com/warranty.

Buy American Act Compliance:

RAB values USA manufacturing! Upon request, RAB may be able to manufacture this product to be compliant with the Buy American Act (BAA). Please contact customer service to request a quote for the product to be made BAA compliant.

Dimensions



Features

- IP65 rated
- 100,000-Hour LED lifespan
- 5-Year Limited Warranty

Ordering Matrix

| Family | Shape | Type | Color Temp | Finish | Driver |
|--------|--------------------|-------------------------------------|---------------|----------------------|--|
| SA | DASH | R | | | |
| | DASH = Wall Sconce | R = Round S = Square L = Line | Blank = 3000K | Blank = Matte Bronze | Blank = 120-277V ¹ Blank = 120V ² |

¹ Available only for the round & square models

² Available only for the line model