



Project:	Type:
Prepared By:	Date:

Driver Info		LED Info	
Type	Constant	Watts	35/30/25W
120V	0.30A/0.25A/0.21A	Color Temp	3500K/4000K/5000K
208V	0.17A/0.15A/0.12A	Color Accuracy	84-85 CRI
240V	0.15A/0.13A/0.10A	L70 Lifespan	N/A
277V	0.13A/0.12A/0.10A	Lumens	3,435-4,955 lm
Input Watts	24.4-35.49W	Efficacy	133.24-149.8 lm/W

Technical Specifications

Compliance

UL Listed:

Suitable for damp locations

DLC Listed:

This product is listed by Design Lights Consortium (DLC) as an ultra-efficient premium product that qualifies for the highest tier of rebates from DLC Member Utilities. Designed to meet DLC 5.1 requirements.

DLC Product Code: S-QOHE9L

Electrical

Driver:

35W: Class 2, Constant Current, 120-277V, 50/60 Hz, 120V: 0.30A, 208V: 0.17A, 240V: 0.15A, 277V: 0.13A

30W: Class 2, Constant Current, 120-277V, 50/60 Hz, 120V: 0.25A, 208V: 0.15A, 240V: 0.13A, 277V: 0.12A

25W: Class 2, Constant Current, 120-277V, 50/60 Hz, 120V: 0.21A, 208V: 0.12A, 240V: 0.10A, 277V: 0.10A

Dimming Driver:

Driver includes dimming control wiring for 0-10V dimming systems. Requires separate 0-10V DC dimming circuit. Dims down to 10%.

THD:

2.87% at 120V, 3.07% at 277V

Power Factor:

99.74% at 120V, 96.42% at 277V

Battery Backup:

Battery backup will operate the fixture for 90 minutes if power fails. Wired for 120.

Surge Protection:

2.5kV

Construction

Housing:

Steel sheet metal

Cold Weather Starting:

The minimum starting temperature is 0°C (32°F)

Ambient Temperature:

Suitable for use in up to 40°C (104°F)

Reflector:

High-reflectance, powder-coated finish, optimized for uniform light distribution

Mounting:

Recessed ceiling

Lens:

Polycarbonate lens

Finish:

Formulated for high durability and long-lasting color

Green Technology:

Mercury and UV free. RoHS-compliant components.

LED Characteristics

LEDs:

Long-life, high-efficiency, surface-mount LEDs

Color Stability:

LED color temperature is warranted to shift no more than 200K in color temperature over a 5-year period

Color Uniformity:

RAB's range of Correlated Color Temperature follows the guidelines of the American National Standard for Specifications for the Chromaticity of Solid State Lighting (SSL) Products, ANSI C78.377-2017.

Performance

Lifespan:

50,000-Hour LED lifespan based on IES LM-80 results and TM-21 calculations

Sensor Specifications

Detection Angle:

About 30 to 150 degrees

Technical Specifications (continued)

Lightcloud

Lightcloud Blue Low Voltage Controller and Related Sensor Installed:

Occupancy, Vacancy, and closed loop daylight harvesting in one versatile sensor. In addition control any fixture in your Lightcloud Blue integrated/embedded networked lighting luminaire-level control system. LLLC - capable of switching, 0-10V dimming, power/energy monitoring. Can also be used to extend the range of the Lightcloud Blue utilizing a "BLE Mesh" network communication protocols. The Lightcloud Blue sensor can be attached to the fixture provided an unobstructed view of the coverage area is available. DLC system - N1XMLOEATBA

[Learn more about Lightcloud.](#)

Uncommissioned State Parameters:

Motion Sensor Status: Enabled
 Motion Sensitivity: high (100% range)
 Brightness when triggered: 100%
 Hold Time: 1 minute
 Stand-By-Dim Level: 20%
 Daylight Harvesting: Disabled

Commissioned State Parameters (Once paired to Lightcloud Blue App):

Motion Sensor Status: Disabled (can be enabled via app)
 Motion Sensitivity: High (100% range, can be adjusted to medium and low)
 Brightness when triggered: Last on status (can also be adjusted to certain dim level)
 Hold Time: 20 minutes (can be adjusted from 1 minute to 240 minutes)
 When Vacant: Off (can be adjusted to certain dim level)
 Daylight Harvesting: Disabled (can be enabled to close-loop)

Technology:

Microwave Sensor

Microwave Frequency:

5.8GHz +/- 7.5MHz

Maximum Mounting Height:

13.1 feet

Maximum Detection Range:

26.2 feet diameter at 13.1 feet height

Other

5 Yr Limited Warranty:

The RAB 5-year, limited warranty covers light output, driver performance and paint finish. RAB's warranty is subject to all terms and conditions found at rablighting.com/warranty.

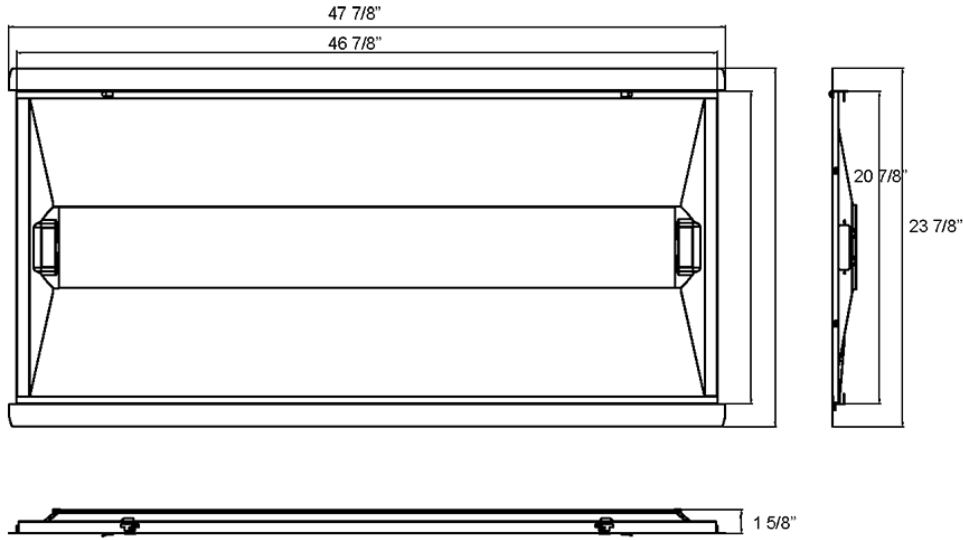
Note:

All values are typical (tolerance +/- 10%)

Buy American Act Compliance:

RAB values USA manufacturing! Upon request, RAB may be able to manufacture this product to be compliant with the Buy American Act (BAA). Please contact customer service to request a quote for the product to be made BAA compliant.

Dimensions



Ordering Matrix

Family	Size (Wattages)	Color Temp	Finish	Voltage	Options
RTLED	2X4				/LCBS/MVS/E
	2X2 = 2' x 2' (30W/25W/18W) 1X4 = 1' x 4' (30W/25W/18W) 2X4 = 2' x 4' (35W/30W/25W)	Blank = 3500K/4000K/5000K CCT Adjustable	Blank = White	Blank = 120-277V, 0-10V Dimming	Blank = No Option /E = Battery Backup /MVS = Microwave Occupancy Sensor /LCB = Lightcloud® Blue Enabled /LCBS = Lightcloud® Blue Enabled w/ PIR Sensor /LCBS/MVS = Lightcloud® Blue Enabled w/ MVS Sensor /MVS/E = Microwave Occupancy Sensor w/ Battery Backup /LCB/E = Lightcloud® Blue Enabled w/ Battery Backup /LCBS/E = Lightcloud® Blue Enabled w/ PIR Sensor & Battery Backup /LCBS/MVS/E = Lightcloud® Blue Enabled w/ MVS Sensor & Battery Backup