



| | |
|---------------------|--------------|
| Project: | Type: |
| Prepared By: | Date: |

| Driver Info | | LED Info | |
|-------------|-------------------|--------------|-------------------|
| Type | Constant | Watts | 35/30/25W |
| 120V | 0.30A/0.25A/0.21A | Color Temp | 3500K/4000K/5000K |
| 208V | 0.17A/0.15A/0.12A | Color | 84-85 CRI |
| 240V | 0.15A/0.13A/0.10A | Accuracy | |
| 277V | 0.13A/0.12A/0.10A | L70 Lifespan | N/A |
| Input Watts | 24.4-35.49W | Lumens | 3,435-4,955 lm |
| | | Efficacy | 133.24-149.8 lm/W |

Technical Specifications

Compliance

UL Listed:

Suitable for damp locations

DLC Listed:

This product is listed by Design Lights Consortium (DLC) as an ultra-efficient premium product that qualifies for the highest tier of rebates from DLC Member Utilities. Designed to meet DLC 5.1 requirements.

DLC Product Code: S-QOHE9L

Electrical

Driver:

35W: Class 2, Constant Current, 120-277V, 50/60 Hz, 120V: 0.30A, 208V: 0.17A, 240V: 0.15A, 277V: 0.13A

30W: Class 2, Constant Current, 120-277V, 50/60 Hz, 120V: 0.25A, 208V: 0.15A, 240V: 0.13A, 277V: 0.12A

25W: Class 2, Constant Current, 120-277V, 50/60 Hz, 120V: 0.21A, 208V: 0.12A, 240V: 0.10A, 277V: 0.10A

Dimming Driver:

Driver includes dimming control wiring for 0-10V dimming systems. Requires separate 0-10V DC dimming circuit. Dims down to 10%.

THD:

2.87% at 120V, 3.07% at 277V

Power Factor:

99.74% at 120V, 96.42% at 277V

Battery Backup:

Battery backup will operate the fixture for 90 minutes if power fails. Wired for 120.

Surge Protection:

2.5kV

Device Identification Button:

Located at the top of the controller under the Lightcloud logo.

Once the Controller has been provisioned to the Lightcloud Blue mobile app this button offers the following functionality:

Press once to rapid identify this device in the Lightcloud Blue mobile app

Press twice to toggle circuit on and off

Press twice and hold to set dim level

Press and hold for 10s to reset the device to factory settings and into pairing mode

Connection Type:

RJ09

Max Mounting Height:

Max 13.1 ft height

Detection Range:

26.2 ft diameter at 13.1 ft height

Construction

Housing:

Steel sheet metal

Cold Weather Starting:

The minimum starting temperature is -20°C (-4°F)

Ambient Temperature:

Suitable for use in up to 40°C (104°F)

Reflector:

High-reflectance, powder-coated finish, optimized for uniform light distribution

Mounting:

Recessed ceiling

Lens:

Polycarbonate lens

Finish:

Formulated for high durability and long-lasting color

Green Technology:

Mercury and UV free. RoHS-compliant components.

LED Characteristics

LEDs:

Long-life, high-efficacy, surface-mount LEDs

Technical Specifications (continued)

Color Stability:

LED color temperature is warranted to shift no more than 200K in color temperature over a 5-year period

Color Uniformity:

RAB's range of Correlated Color Temperature follows the guidelines of the American National Standard for Specifications for the Chromaticity of Solid State Lighting (SSL) Products, ANSI C78.377-2017.

Performance

Lifespan:

50,000-Hour LED lifespan based on IES LM-80 results and TM-21 calculations

Lightcloud

Lightcloud Blue:

Lightcloud Blue is a Bluetooth mesh wireless lighting control system that allows you to control RAB's various compatible devices. With RAB's patent-pending Rapid Provisioning technology, devices can be quickly and easily commissioned for residential and large commercial applications using the Lightcloud Blue mobile app. Each device in a system can communicate with any other device, eliminating the need for a Gateway or Hub and maximizing the control system's reach.

DLC system - N1XMLOEATBA

[Learn more at www.lightcloud.com](http://www.lightcloud.com)

Gateway Required:

No

Communication Protocol:

Bluetooth Mesh

Range:

Up to 60 feet between standard building materials.
Up to 200 feet clear line of sight.

Spacing Criteria:

Lightcloud Blue devices should be placed within the specified range to communicate within the Bluetooth Mesh network.

Factory Reset:

To reset the device to factory settings and into pairing mode locate the device identification button at the top of the Controller under the Lightcloud logo. Press and hold this button for 10s or until the indicator light begins flashing red. If the Controller is attached to a fixture, the fixture will also flash on/off 5x.

Sensor Settings

Default Setting:

Uncommissioned State:
Sensor Status: Enabled
Motion Sensitivity: High
Brightness when triggered : 100%
Hold time: 1 minute
Standby to dim: 20%
Standby time: 1 minute
When vacant: Off

Commissioned State:

Sensor Status: Disabled, once enabled the following default are set.
Motion Sensitivity: High
Brightness when triggered: Last on status
Hold time: 20 minutes
When vacant: Off

Sensing Type:

Occupancy or Vacancy

Sensor Sensitivity:

Low/Medium/High

Occupied Actions:

On or On at a Dim Level

Vacant Options:

Off or On at a Dim Level

Occupancy Timeout:

1 minute to 240 minutes

Daylight Sensing:

The sensor will determine to trigger the light(s) on or not based on the daylight threshold level set in the Lightcloud Blue mobile app.

Daylight Threshold:

150 lux to 1500 lux

Other

5 Yr Limited Warranty:

The RAB 5-year, limited warranty covers light output, driver performance and paint finish. RAB's warranty is subject to all terms and conditions found at rablighting.com/warranty.

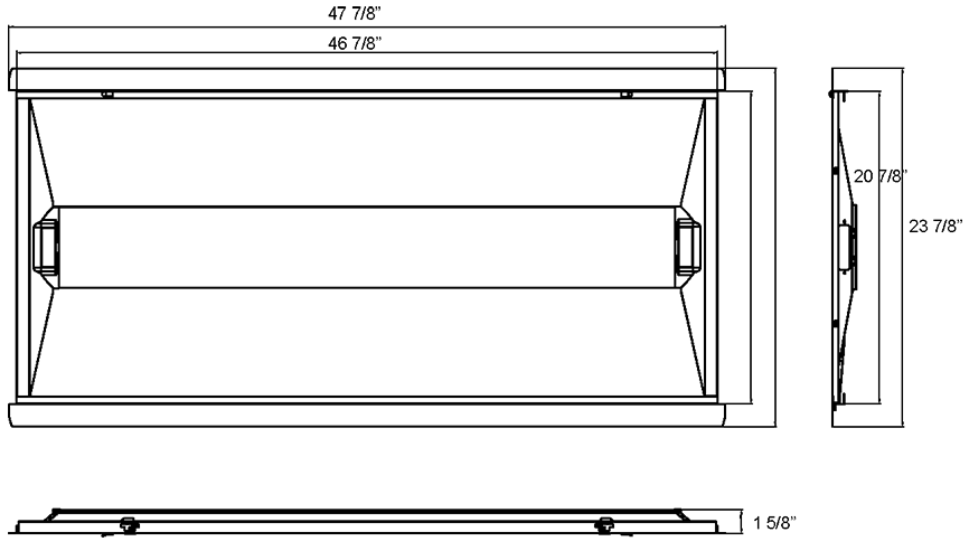
Note:

All values are typical (tolerance +/- 10%)

Buy American Act Compliance:

RAB values USA manufacturing! Upon request, RAB may be able to manufacture this product to be compliant with the Buy American Act (BAA). Please contact customer service to request a quote for the product to be made BAA compliant.

Dimensions



Ordering Matrix

| Family | Size (Wattages) | Color Temp | Finish | Voltage | Options |
|--------|---|--|---------------|---------------------------------|--|
| RTLED | 2X4 | | | | /LCB |
| | 2X2 = 2' x 2' (30W/25W/18W) 1X4 = 1' x 4' (30W/25W/18W) 2X4 = 2' x 4' (35W/30W/25W) | Blank = 3500K/4000K/5000K CCT Adjustable | Blank = White | Blank = 120-277V, 0-10V Dimming | Blank = No Option /E = Battery Backup /MVS = Microwave Occupancy Sensor /LCB = Lightcloud® Blue Enabled /LCBS = Lightcloud® Blue Enabled w/ PIR Sensor /LCBS/MVS = Lightcloud® Blue Enabled w/ MVS Sensor /MVS/E = Microwave Occupancy Sensor w/ Battery Backup /LCB/E = Lightcloud® Blue Enabled w/ Battery Backup /LCBS/E = Lightcloud® Blue Enabled w/ PIR Sensor & Battery Backup /LCBS/MVS/E = Lightcloud® Blue Enabled w/ MVS Sensor & Battery Backup |