



<b>Project:</b>	<b>Type:</b>
<b>Prepared By:</b>	<b>Date:</b>

Driver Info		LED Info	
Type	Constant	Watts	30/25/18W
120V	0.25A/0.21A/0.15A	Color Temp	3500K/4000K/5000K
208V	0.15A/0.12A/0.09A	Color Accuracy	84-85 CRI
240V	0.13A/0.10A/0.08A	L70 Lifespan	N/A
277V	0.11A/0.10A/0.07A	Lumens	2,293-3,814 lm
Input Watts	17-28.58W	Efficacy	125.69-138.1 lm/W

## Technical Specifications

### Compliance

#### UL Listed:

Suitable for damp locations

#### DLC Listed:

This product is listed by Design Lights Consortium (DLC) as an ultra-efficient premium product that qualifies for the highest tier of rebates from DLC Member Utilities. Designed to meet DLC 5.1 requirements.

DLC Product Code: S-R1IK8X

### Electrical

#### Driver:

30W: Class 2, Constant Current, 120-277V, 50/60 Hz, 120V: 0.25A, 208V: 0.15A, 240V: 0.13A, 277V: 0.11A

25W: Class 2, Constant Current, 120-277V, 50/60 Hz, 120V: 0.21A, 208V: 0.12A, 240V: 0.10A, 277V: 0.10A

18W: Class 2, Constant Current, 120-277V, 50/60 Hz, 120V: 0.15A, 208V: 0.09A, 240V: 0.08A, 277V: 0.07A

#### Dimming Driver:

Driver includes dimming control wiring for 0-10V dimming systems. Requires separate 0-10V DC dimming circuit. Dims down to 10%.

#### THD:

3.41% at 120V, 4.37% at 277V

#### Power Factor:

99.67% at 120V, 96.3% at 277V

#### Battery Backup:

Battery backup will operate the fixture for 90 minutes if power fails. Wired for 120.

#### Surge Protection:

2.5kV

### Construction

#### Housing:

Steel sheet metal

#### Cold Weather Starting:

The minimum starting temperature is 0°C (32°F)

#### Ambient Temperature:

Suitable for use in up to 40°C (104°F)

#### Reflector:

High-reflectance, powder-coated finish, optimized for uniform light distribution

#### Mounting:

Recessed ceiling

#### Lens:

Polycarbonate lens

#### Finish:

Formulated for high durability and long-lasting color

#### Green Technology:

Mercury and UV free. RoHS-compliant components.

### LED Characteristics

#### LEDs:

Long-life, high-efficiency, surface-mount LEDs

#### Color Stability:

LED color temperature is warranted to shift no more than 200K in color temperature over a 5-year period

#### Color Uniformity:

RAB's range of Correlated Color Temperature follows the guidelines of the American National Standard for Specifications for the Chromaticity of Solid State Lighting (SSL) Products, ANSI C78.377-2017.

### Performance

#### Lifespan:

50,000-Hour LED lifespan based on IES LM-80 results and TM-21 calculations

### Sensor Specifications

#### Capacitance Load:

400VA at 120VAC, 800VA at 230VAC, 1000VA at 277VAC

**Technical Specifications (continued)****Operating Temperature:**

-20°C to +60°C (-4°F to +140°F)

**Relay:**

Zero-cross relay

**Maximum Mounting Height:**

16.4 feet

**Customizable Detection Area:**

10, 50, 75 or 100%

**Time Delay:**

5s, 30s, 1min, 5min, 10min, 20min, 30min

**Cut Off Period:**

0s, 10s, 1min, 5min, 10min, 30min, 1hr, Bi-Level

**Cut-Off Dimming level:**

10, 20, 30, 50%

**Cut-Off Power:**

Less than 1W

**Daylight Threshold:**

Disable/400Lux/350Lux/300Lux/250Lux/200Lux/120  
Lux/ 80Lux/50Lux/30Lux/10Lux/2Lux

**Sensor Principle:**

High Frequency

**Microwave Frequency:**

5.8GHz +/- 75MHz

**Microwave Power:**

<0.3mW

**Max Detection Range:**

26 ft diameter at 16 ft mounting height

**Detection Angle:**

About 30 to 150 degrees

**Remote Control Accessory:**

Adjust settings using remote control (catalog# MSR1). Only available with 0-10V dimming driver options. [Remote control available here.](#)

**Other****5 Yr Limited Warranty:**

The RAB 5-year, limited warranty covers light output, driver performance and paint finish. RAB's warranty is subject to all terms and conditions found at [rablighting.com/warranty](http://rablighting.com/warranty).

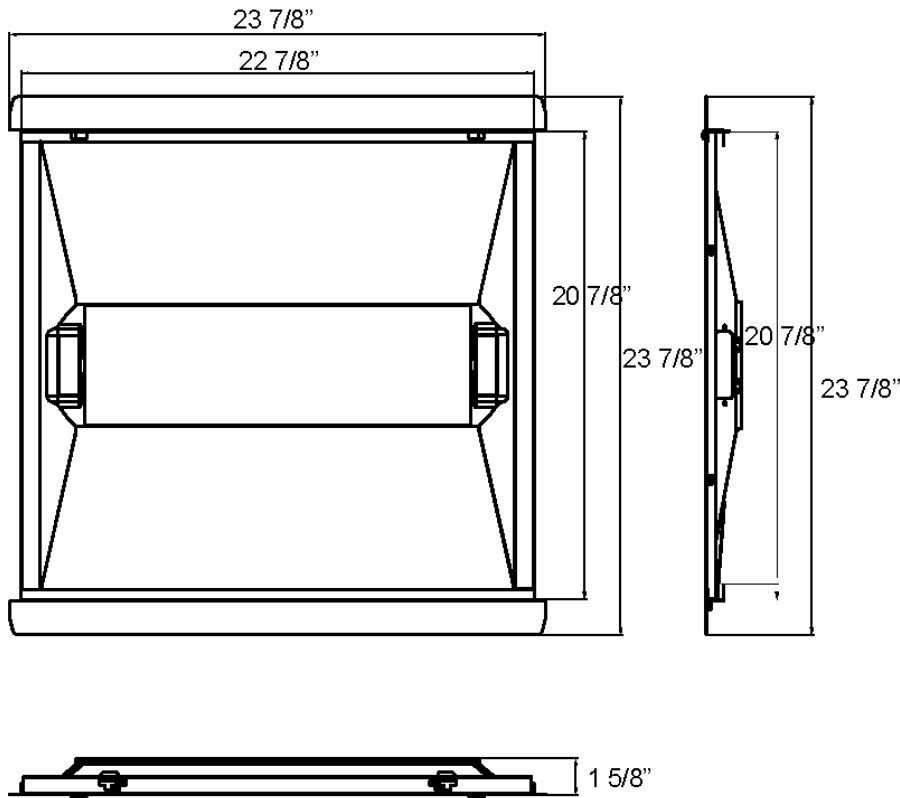
**Note:**

All values are typical (tolerance +/- 10%)

**Buy American Act Compliance:**

RAB values USA manufacturing! Upon request, RAB may be able to manufacture this product to be compliant with the Buy American Act (BAA). Please contact customer service to request a quote for the product to be made BAA compliant.

Dimensions



Ordering Matrix

Family	Size (Wattages)	Color Temp	Finish	Voltage	Options
RTLED	2X2				/MVS/E
	2X2 = 2' x 2' (30W/25W/18W) 1X4 = 1' x 4' (30W/25W/18W) 2X4 = 2' x 4' (35W/30W/25W)	Blank = 3500K/4000K/5000K CCT Adjustable	Blank = White	Blank = 120-277V, 0-10V Dimming	Blank = No Option /E = Battery Backup /MVS = Microwave Occupancy Sensor /LCB = Lightcloud® Blue Enabled /LCBS = Lightcloud® Blue Enabled w/ PIR Sensor /LCBS/MVS = Lightcloud® Blue Enabled w/ MVS Sensor /MVS/E = Microwave Occupancy Sensor w/ Battery Backup /LCB/E = Lightcloud® Blue Enabled w/ Battery Backup /LCBS/E = Lightcloud® Blue Enabled w/ PIR Sensor & Battery Backup /LCBS/MVS/E = Lightcloud® Blue Enabled w/ MVS Sensor & Battery Backup