



|                     |              |
|---------------------|--------------|
| <b>Project:</b>     | <b>Type:</b> |
| <b>Prepared By:</b> | <b>Date:</b> |

| Driver Info |                   | LED Info     |                   |
|-------------|-------------------|--------------|-------------------|
| Type        | Constant          | Watts        | 30/25/18W         |
| 120V        | 0.25A/0.21A/0.15A | Color Temp   | 3500K/4000K/5000K |
| 208V        | 0.15A/0.12A/0.09A | Color        | 84-85 CRI         |
| 240V        | 0.13A/0.10A/0.08A | Accuracy     |                   |
| 277V        | 0.11A/0.10A/0.07A | L70 Lifespan | N/A               |
| Input Watts | 17-28.58W         | Lumens       | 2,293-3,814 lm    |
|             |                   | Efficacy     | 125.69-138.1 lm/W |

**Technical Specifications**

**Compliance**

**UL Listed:**

Suitable for damp locations

**DLC Listed:**

This product is listed by Design Lights Consortium (DLC) as an ultra-efficient premium product that qualifies for the highest tier of rebates from DLC Member Utilities. Designed to meet DLC 5.1 requirements.

DLC Product Code: S-R1IK8X

**Electrical**

**Driver:**

30W: Class 2, Constant Current, 120-277V, 50/60 Hz, 120V: 0.25A, 208V: 0.15A, 240V: 0.13A, 277V: 0.11A

25W: Class 2, Constant Current, 120-277V, 50/60 Hz, 120V: 0.21A, 208V: 0.12A, 240V: 0.10A, 277V: 0.10A

18W: Class 2, Constant Current, 120-277V, 50/60 Hz, 120V: 0.15A, 208V: 0.09A, 240V: 0.08A, 277V: 0.07A

**Dimming Driver:**

Driver includes dimming control wiring for 0-10V dimming systems. Requires separate 0-10V DC dimming circuit. Dims down to 10%.

**THD:**

3.41% at 120V, 4.37% at 277V

**Power Factor:**

99.67% at 120V, 96.3% at 277V

**Battery Backup:**

Battery backup will operate the fixture for 90 minutes if power fails. Wired for 120.

**Surge Protection:**

2.5kV

**Construction**

**Housing:**

Steel sheet metal

**Cold Weather Starting:**

The minimum starting temperature is 0°C (32°F)

**Ambient Temperature:**

Suitable for use in up to 40°C (104°F)

**Reflector:**

High-reflectance, powder-coated finish, optimized for uniform light distribution

**Mounting:**

Recessed ceiling

**Lens:**

Polycarbonate lens

**Finish:**

Formulated for high durability and long-lasting color

**Green Technology:**

Mercury and UV free. RoHS-compliant components.

**LED Characteristics**

**LEDs:**

Long-life, high-efficiency, surface-mount LEDs

**Color Stability:**

LED color temperature is warranted to shift no more than 200K in color temperature over a 5-year period

**Color Uniformity:**

RAB's range of Correlated Color Temperature follows the guidelines of the American National Standard for Specifications for the Chromaticity of Solid State Lighting (SSL) Products, ANSI C78.377-2017.

**Performance**

**Lifespan:**

50,000-Hour LED lifespan based on IES LM-80 results and TM-21 calculations

## Technical Specifications (continued)

### Lightcloud

#### Lightcloud Blue Low Voltage Controller and Related Sensor Installed:

Occupancy, Vacancy, and closed loop daylight harvesting in one versatile sensor. In addition control any fixture in your Lightcloud Blue integrated/embedded networked lighting luminaire-level control system. LLLC - capable of switching, 0-10V dimming, power/energy monitoring. Can also be used to extend the range of the Lightcloud Blue utilizing a "BLE Mesh" network communication protocols. The Lightcloud Blue sensor can be attached to the fixture provided an unobstructed view of the coverage area is available. DLC system - N1XMLOEATBA

[Learn more about Lightcloud.](#)

#### Uncommissioned State Parameters:

Motion Sensor Status: Enabled  
Motion Sensitivity: high (100% range)  
Brightness when triggered: 100%  
Hold Time: 1 minute  
Stand-By-Dim Level: 20%  
Daylight Harvesting: Disabled

#### Commissioned State Parameters (Once paired to Lightcloud Blue App):

Motion Sensor Status: Disabled (can be enabled via app)  
Motion Sensitivity: High (100% range, can be adjusted to medium and low)  
Brightness when triggered: Last on status (can also be adjusted to certain dim level)  
Hold Time: 20 minutes (can be adjusted from 1 minute to 240 minutes)  
When Vacant: Off (can be adjusted to certain dim level)  
Daylight Harvesting: Disabled (can be enabled to close-loop)

### Other

#### 5 Yr Limited Warranty:

The RAB 5-year, limited warranty covers light output, driver performance and paint finish. RAB's warranty is subject to all terms and conditions found at [rablighting.com/warranty](http://rablighting.com/warranty).

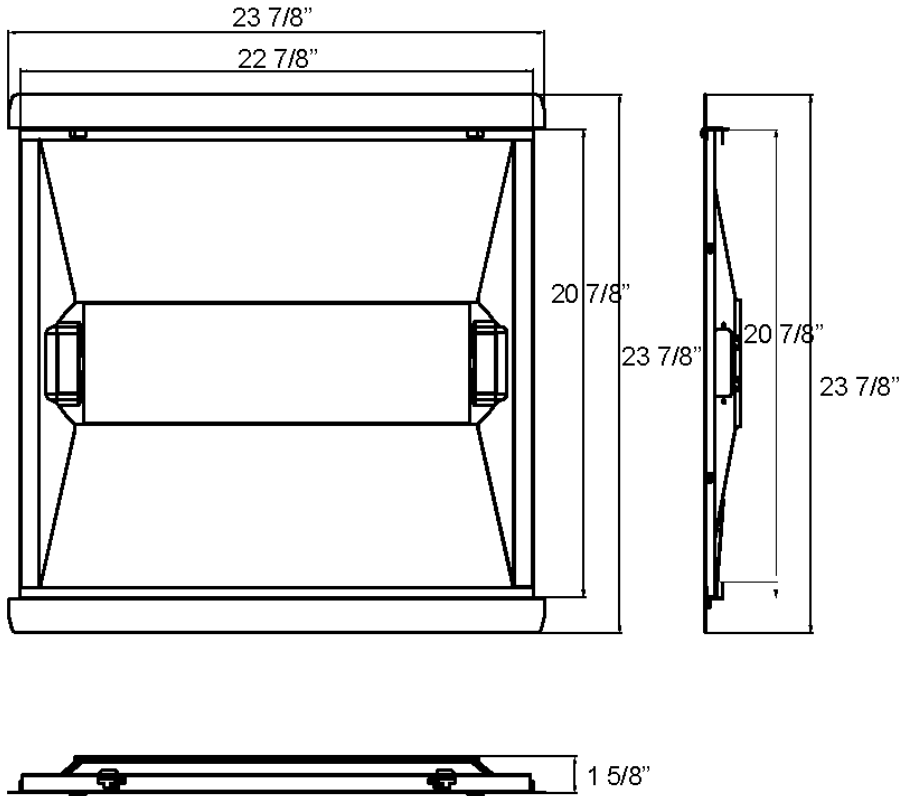
#### Note:

All values are typical (tolerance +/- 10%)

#### Buy American Act Compliance:

RAB values USA manufacturing! Upon request, RAB may be able to manufacture this product to be compliant with the Buy American Act (BAA). Please contact customer service to request a quote for the product to be made BAA compliant.

Dimensions



Ordering Matrix

| Family | Size (Wattages)   | Color Temp                                  | Finish        | Voltage                            | Options  |
|--------|---|---|---------------|------------------------------------|--|
| RTLED  | 2X2   |   |               |                                    | /LCBS/E  |
|        | 2X2 = 2' x 2' (30W/25W/18W)<br>1X4 = 1' x 4' (30W/25W/18W)<br>2X4 = 2' x 4' (35W/30W/25W) | Blank = 3500K/4000K/5000K CCT<br>Adjustable | Blank = White | Blank = 120-277V, 0-10V<br>Dimming | Blank = No Option<br>/E = Battery Backup<br>/MVS = Microwave Occupancy Sensor<br>/LCB = Lightcloud® Blue Enabled<br>/LCBS = Lightcloud® Blue Enabled w/ PIR<br>Sensor<br>/LCBS/MVS = Lightcloud® Blue Enabled w/<br>MVS Sensor<br>/MVS/E = Microwave Occupancy Sensor<br>w/ Battery Backup<br>/LCB/E = Lightcloud® Blue Enabled w/<br>Battery Backup<br>/LCBS/E = Lightcloud® Blue Enabled w/ PIR<br>Sensor & Battery Backup<br>/LCBS/MVS/E = Lightcloud® Blue Enabled<br>w/ MVS Sensor & Battery Backup |