



<b>Project:</b>	<b>Type:</b>
<b>Prepared By:</b>	<b>Date:</b>

Driver Info		LED Info	
Type	Constant	Watts	30/25/18W
120V	0.25A/0.21A/0.15A	Color Temp	3500K/4000K/5000K
208V	0.15A/0.12A/0.09A	Color Accuracy	84-85 CRI
240V	0.13A/0.10A/0.08A	L70 Lifespan	N/A
277V	0.11A/0.10A/0.07A	Lumens	2,293-3,814 lm
Input Watts	17-28.58W	Efficacy	125.69-138.1 lm/W

**Technical Specifications**

**Compliance**

**UL Listed:**

Suitable for damp locations

**DLC Listed:**

This product is listed by Design Lights Consortium (DLC) as an ultra-efficient premium product that qualifies for the highest tier of rebates from DLC Member Utilities. Designed to meet DLC 5.1 requirements.

DLC Product Code: S-R1IK8X

**Electrical**

**Driver:**

30W: Class 2, Constant Current, 120-277V, 50/60 Hz, 120V: 0.25A, 208V: 0.15A, 240V: 0.13A, 277V: 0.11A

25W: Class 2, Constant Current, 120-277V, 50/60 Hz, 120V: 0.21A, 208V: 0.12A, 240V: 0.10A, 277V: 0.10A

18W: Class 2, Constant Current, 120-277V, 50/60 Hz, 120V: 0.15A, 208V: 0.09A, 240V: 0.08A, 277V: 0.07A

**Dimming Driver:**

Driver includes dimming control wiring for 0-10V dimming systems. Requires separate 0-10V DC dimming circuit. Dims down to 10%.

**THD:**

3.41% at 120V, 4.37% at 277V

**Power Factor:**

99.67% at 120V, 96.3% at 277V

**Battery Backup:**

Battery backup will operate the fixture for 90 minutes if power fails. Wired for 120.

**Surge Protection:**

2.5kV

**Construction**

**Housing:**

Steel sheet metal

**Cold Weather Starting:**

The minimum starting temperature is 0°C (32°F)

**Ambient Temperature:**

Suitable for use in up to 40°C (104°F)

**Reflector:**

High-reflectance, powder-coated finish, optimized for uniform light distribution

**Mounting:**

Recessed ceiling

**Lens:**

Polycarbonate lens

**Finish:**

Formulated for high durability and long-lasting color

**Green Technology:**

Mercury and UV free. RoHS-compliant components.

**LED Characteristics**

**LEDs:**

Long-life, high-efficiency, surface-mount LEDs

**Color Stability:**

LED color temperature is warranted to shift no more than 200K in color temperature over a 5-year period

**Color Uniformity:**

RAB's range of Correlated Color Temperature follows the guidelines of the American National Standard for Specifications for the Chromaticity of Solid State Lighting (SSL) Products, ANSI C78.377-2017.

**Performance**

**Lifespan:**

50,000-Hour LED lifespan based on IES LM-80 results and TM-21 calculations

Technical Specifications (continued)

Other

5 Yr Limited Warranty:

The RAB 5-year, limited warranty covers light output, driver performance and paint finish. RAB's warranty is subject to all terms and conditions found at [rablighting.com/warranty](http://rablighting.com/warranty).

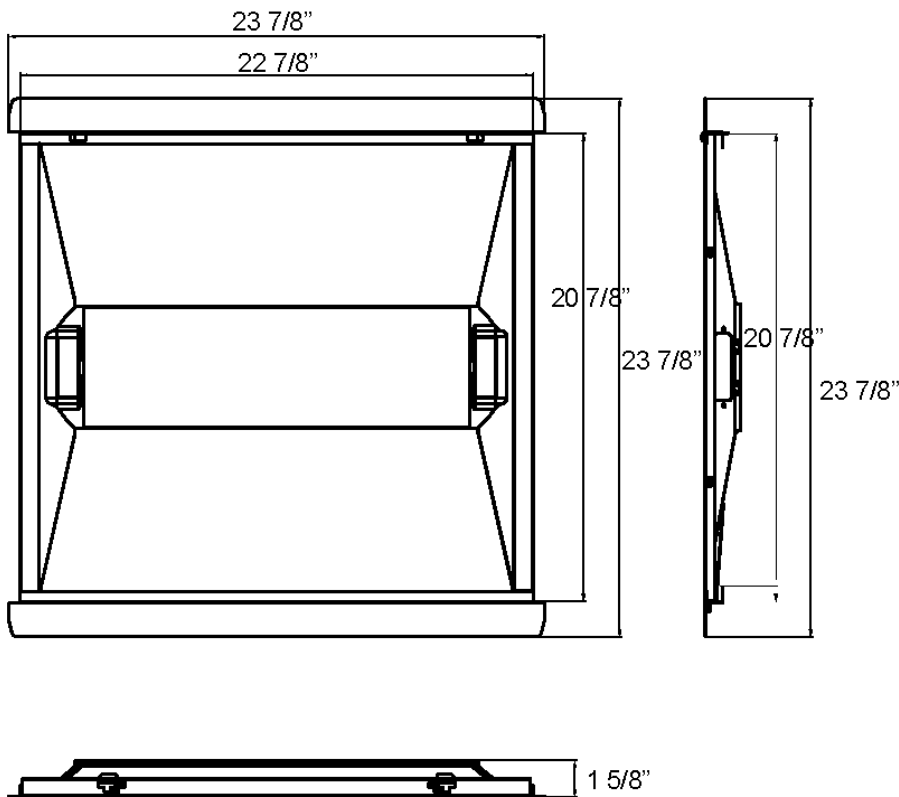
Note:

All values are typical (tolerance +/- 10%)

Buy American Act Compliance:

RAB values USA manufacturing! Upon request, RAB may be able to manufacture this product to be compliant with the Buy American Act (BAA). Please contact customer service to request a quote for the product to be made BAA compliant.

Dimensions



Ordering Matrix

Family	Size (Wattages)	Color Temp	Finish	Voltage	Options
RTLED	2X2				/E
	2X2 = 2' x 2' (30W/25W/18W) 1X4 = 1' x 4' (30W/25W/18W) 2X4 = 2' x 4' (35W/30W/25W)	Blank = 3500K/4000K/5000K CCT Adjustable	Blank = White	Blank = 120-277V, 0-10V Dimming	Blank = No Option /E = Battery Backup /MVS = Microwave Occupancy Sensor /LCB = Lightcloud® Blue Enabled /LCBS = Lightcloud® Blue Enabled w/ PIR Sensor /LCBS/MVS = Lightcloud® Blue Enabled w/ MVS Sensor /MVS/E = Microwave Occupancy Sensor w/ Battery Backup /LCB/E = Lightcloud® Blue Enabled w/ Battery Backup /LCBS/E = Lightcloud® Blue Enabled w/ PIR Sensor & Battery Backup /LCBS/MVS/E = Lightcloud® Blue Enabled w/ MVS Sensor & Battery Backup