



Project:	Type:
Prepared By:	Date:

### Technical Specifications

#### Performance

**Description:**

Round pole adaptor 5"

#### Construction

**Compatibility:**

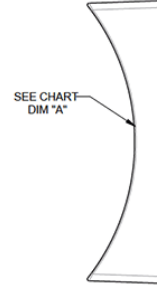
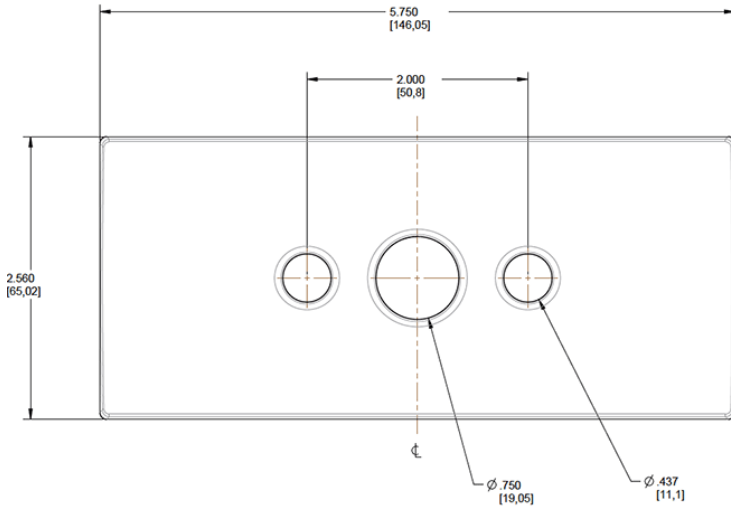
AL, ALX, AJ, ALED52, ALED78, ALED104, ALED105, ALED125 and ALED150

#### Other

**Buy American Act Compliance:**

RAB values USA manufacturing! Upon request, RAB may be able to manufacture this product to be compliant with the Buy American Act (BAA). Please contact customer service to request a quote for the product to be made BAA compliant.

Dimensions



POLE DIA	DIM *A*
3.0"	R 1.50"
3.5"	R 1.75"
4"	R 2.0"
5"	R 2.5"
6"	R 3.0"