



Color: White

Weight: 0.5 lbs

Project:

Type:

Prepared By:

Date:

Technical Specifications

Performance

Description:

Round pole adaptor 3.5". Does not support mounting multiple fixtures at 90° orientation.

Construction

Compatibility:

AL, ALX, AJ, ALED52, ALED78, ALED104, ALED105, ALED125 and ALED150

Other

Buy American Act Compliance:

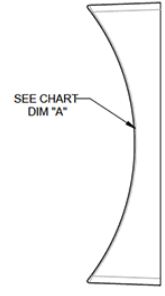
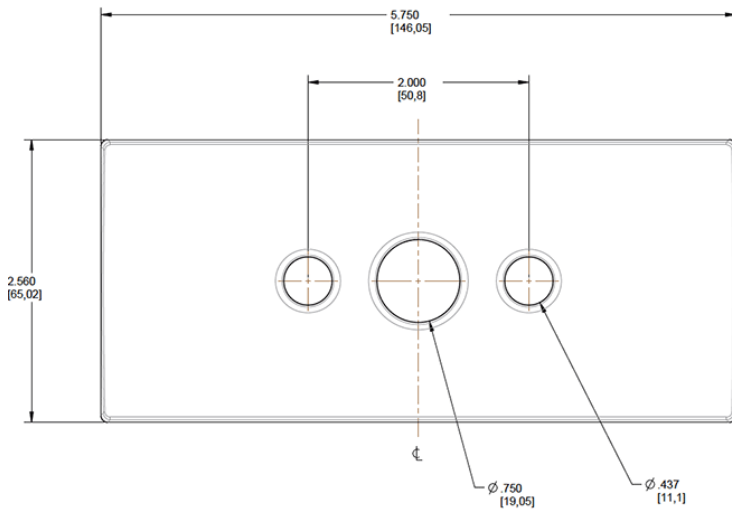
RAB values USA manufacturing! Upon request, RAB may be able to manufacture this product to be compliant with the Buy American Act (BAA). Please contact customer service to request a quote for the product to be made BAA compliant.

Electrical

THD:

11.5% at 120V, 21% at 277V

Dimensions



POLE DIA	DIM *A*
3.0"	R 1.50"
3.5"	R 1.75"
4"	R 2.0"
5"	R 2.5"
6"	R 3.0"