



Weight: 0.4 lbs

Project:

Type:

Prepared By:

Date:

## Technical Specifications

### Performance

**Description:**

Retrofit band with friction clips for 5<sup>5</sup>/<sub>16</sub>" downlight. Compatible with most Retrofit Downlights, see compatibility list.

**Product Type:**

Downlights & Wafer Accessories

### Construction

**Material:**

Metal

**Shape:**

Round

**Size:**

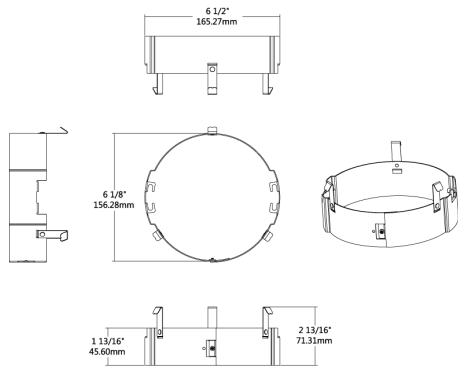
5<sup>5</sup>/<sub>16</sub>"

### Other

**Buy American Act Compliance:**

RAB values USA manufacturing! Upon request, RAB may be able to manufacture this product to be compliant with the Buy American Act (BAA). Please contact customer service to request a quote for the product to be made BAA compliant.

## Dimensions



## Features

5<sup>5</sup>/<sub>16</sub>" retrofit band with friction clips