



<b>Project:</b>	<b>Type:</b>
<b>Prepared By:</b>	<b>Date:</b>

Driver Info		LED Info	
Type	Constant Current	Watts	6W
120V	0.06A	Color Temp	4000K
208V	N/A	Color Accuracy	80 CRI
240V	N/A	L70 Lifespan	11,000 Hours
277V	N/A	Lumens	550 lm
Input Watts	6W	Efficacy	92

## Technical Specifications

### Performance

#### Description:

These ultra-economy downlights are ideal for both new construction and retrofit applications. Our low profile design makes them compatible with most recessed housing to be easily mounted using the integrated friction clips/torsion springs or the E26 Edison base adapter.

#### Product Type:

Recessed Downlights

#### Input Wattage:

6W

#### Lumens (Nominal):

550lm

#### Efficacy:

92lm/W

#### Lifespan:

11,000-Hour LED lifespan based on IES LM-80 results and TM-21 calculations

### Compliance

#### UL Listed:

Suitable for wet locations

### Electrical

#### Dimming Driver:

TRIAC compatible dimmer with dimming as low as 10%.

#### THD:

≤20%

#### Power Factor:

≥0.9

#### Flicker:

≤30%

#### Input Voltage:

120V

#### Operating Frequency:

60Hz

### Construction

#### Material:

Plastic

#### Trim Style:

Smooth Trim

#### Base Type:

E26 Edison

### Shape:

Round

### Mounting:

Recessed ceiling

### Operating Temperature:

-20°C (-4°F) to 40°C (104°F)

### Size:

4"

### Other

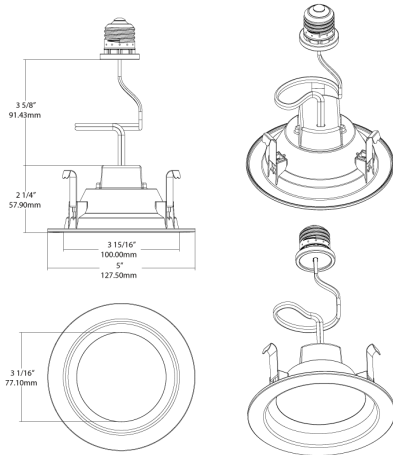
#### 3 Yr Limited Warranty:

The RAB 3-year, limited warranty covers light output, driver performance and paint finish. RAB's warranty is subject to all terms and conditions found at [rablighting.com/warranty](http://rablighting.com/warranty)

#### Buy American Act Compliance:

RAB values USA manufacturing! Upon request, RAB may be able to manufacture this product to be compliant with the Buy American Act (BAA). Please contact customer service to request a quote for the product to be made BAA compliant.

## Dimensions



## Features

- Suitable for outdoor use in dry, damp, and wet environments
- Dimmable down to 10% on triac dimmers
- Anti-UV plastic extends the life of the housing
- UL Listed, UL Recognized

## Ordering Matrix

Family	Size	Shape	Wattage	CRI/Color Temp	Voltage	Finish	Trim
RET34	4	R	6	840	120	W	S
	4 = 4"	R = Round	6 = 6W	840 = 80 CRI, 4000K	120 = 120V	W = White	S = Smooth
	6 = 6"		7 = 7W	830 = 80 CRI, 3000K			