

# RE200A



Direct light down with a dome reflector or to the side with an angle reflector. Highly reflective surfaces over heavy gauge aluminum base. Field installable with 4 screws provided with fixture.

Color: White

Weight: 2.0 lbs

Project:

Type:

Prepared By:

Date:

## Technical Specifications

### Construction

#### Reflectors:

Heavy gauge aluminum with highly reflective white epoxy powder coat finish

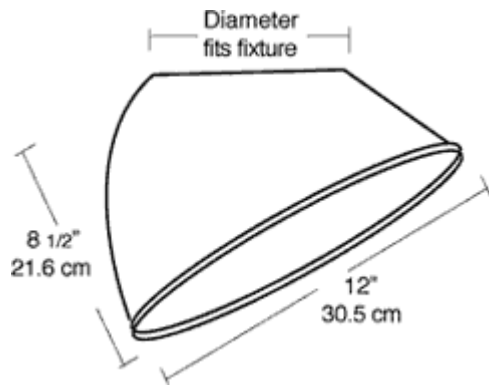
#### Other

#### Buy American Act Compliance:

RAB values USA manufacturing! Upon request, RAB may be able to manufacture this product to be compliant with the Buy American Act (BAA). Please contact customer service to request a quote for the product to be made BAA compliant.



## Dimensions



## Features

- Accessory reflectors and exit signs available
- Cast aluminum junction box also serves as a hanger box for pendant fixtures
- Heavy gauge die formed aluminum
- Reflectors with white polyester powder finish