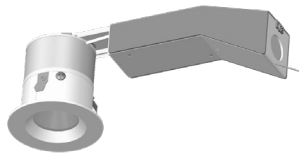


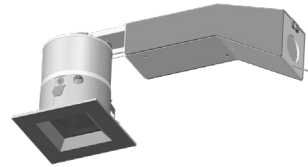
# RDLED2T ND2T WITH TRIM INSTRUCTIONS



Thank you for buying RAB lighting fixtures. Our goal is to design the best quality products to get the job done right. We'd like to hear your comments. Call the Marketing Department at 888-RAB-1000 or email: [marketing@rablighting.com](mailto:marketing@rablighting.com)



RDLED2R



RDLED2S

## IMPORTANT

**READ CAREFULLY BEFORE INSTALLING FIXTURE. RETAIN THESE INSTRUCTIONS FOR FUTURE REFERENCE.**

RAB fixtures must be wired in accordance with the National Electrical Code and all applicable local codes. Proper grounding is required for safety. THIS PRODUCT MUST BE INSTALLED IN ACCORDANCE WITH THE APPLICABLE INSTALLATION CODE BY A PERSON FAMILIAR WITH THE CONSTRUCTION AND OPERATION OF THE PRODUCT AND THE HAZARDS INVOLVED.

**WARNING: Make certain power is OFF before installing or maintaining fixture.**

**WARNING: Suitable for wet locations where the ambient temperature is 0°C minimum, +40°C maximum.**

**WARNING: Suitable for installation in Non-Accessible and Accessible Ceilings.**

**WARNING: Suitable for installation in Insulated Ceilings & Non-Insulated Ceilings.**

## SURFACE PREPARATION

- This fixture can be installed with ceiling temperature not exceeding of 40°C and with minimum plenum height of 5".
- The fixture can be used to replace an existing unit or for new construction.
- Cutout must be accurate not undersized or oversized. A hole saw is recommended. **CEILING CUT OUT MUST BE FREE OF ANY DEBRIS AND BURRS.**

## ROUGH-IN MOUNTING FOR ND2T

For both round and square fixture, prepare mounting surface with 2 1/2" diameter cutout.

1. **Nailer bars** are provided for use with wood joist installations. Insert through nailer bar slots and secure accordingly.
2. **Butterfly brackets** provided to use C-Channels. (optionally available, consult factory). Consult local building codes for final support of fixture.
3. The fixture can be adjusted from 1/2" to 1" max ceiling thickness. For height adjustment, loosen the **Wing Nut** and slide the **Butterfly Bracket**. If necessary remove the **Wing Nut** and insert in screw in different hole provided on the **Butterfly Bracket**. (Fig: 1)
4. Adjust both the **Butterfly Brackets** such that the downturn collar of **Rough-In Section** is flush with the finished ceiling surface. Tighten the **Wing nuts**.
5. Drop down **Supply Wire** must be at least 9" long to allow fixture removal.
6. Loosen the **Junction Box Screw** and open the **Junction Box** (Fig.2). Attach **Supply Wires** into **Junction Box** and connect to the fixture. See wiring section for details.
7. Push up and slide the **Junction Box** section into the ceiling. Be sure the **Spring Clips** is snapped in and **Trim Ring** is flush and secure. Allow the Junction Box section of housing to rest on the **Leg** support of the **Rough-in Section**.

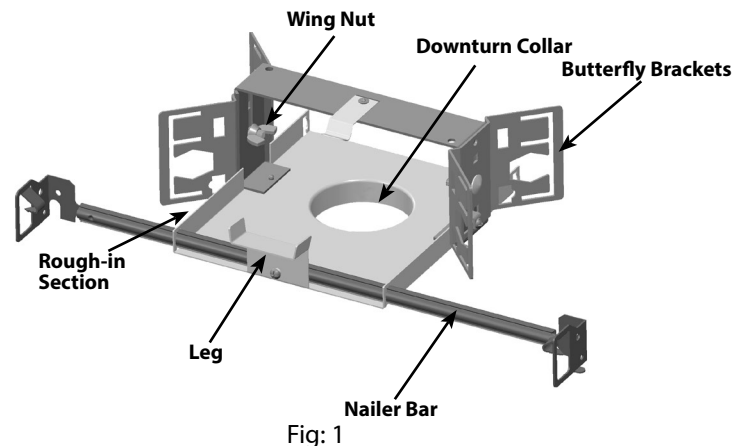


Fig: 1

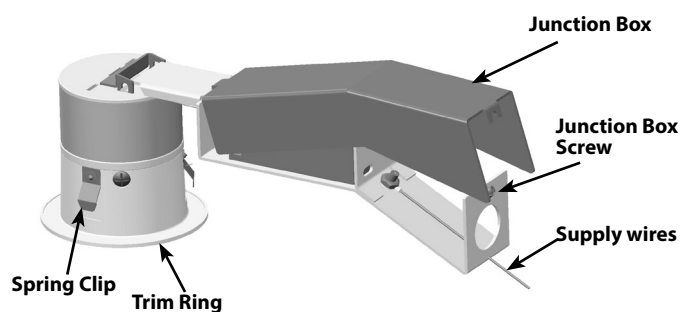


Fig: 2

# RDLED2T ND2T WITH TRIM INSTRUCTIONS



Thank you for buying RAB lighting fixtures. Our goal is to design the best quality products to get the job done right. We'd like to hear your comments. Call the Marketing Department at 888-RAB-1000 or email: [marketing@rablighting.com](mailto:marketing@rablighting.com)

## REMODELER MOUNTING

For both round and square fixture, prepare mounting surface with 2 3/8" diameter cutout.

1. Install **Ceiling Collar** into opening. Secure Ceiling Collar by pushing fingertabs down tightly over ceiling. Fig. (3)  
*Note: Ceiling Collar is intended for 5/8"-3/4" sheet rock ceilings. For 1/2" ceiling applications, use 1/8" shim to secure trim module.*
2. Loosen the **Junction Box Screw** and open the **Junction Box** (Fig.2). Attach **Supply Wires** into **Junction Box** and connect to the fixture. See wiring section for details.
3. Push up and slide the **Junction Box** section into the **Ceiling Collar**. Be sure the **Spring Clips** are snapped in and **Trim Ring** is flush and secure.

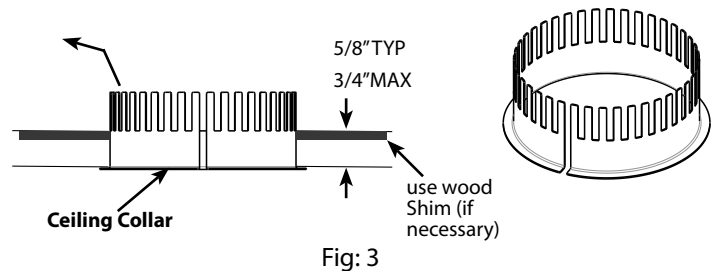


Fig: 3

## WALLWASH MOUNTING

1. For the Wallwash Model, orient the fixture such that the **Reflector** is aimed in correct orientation. Look for 'Towards the Wall' label on the fixture.
2. If necessary, the position of the wall wash reflector can be changed. Unscrew the two **Trim Ring screws** and remove the Trim Ring.
3. Remove the **Friction Ring**, and change the position of the reflector. Note: **Square Wall Wash reflector** can rotate by 90°. Be sure the slot on the Reflector is aligned to slot in **Trim Ring**.

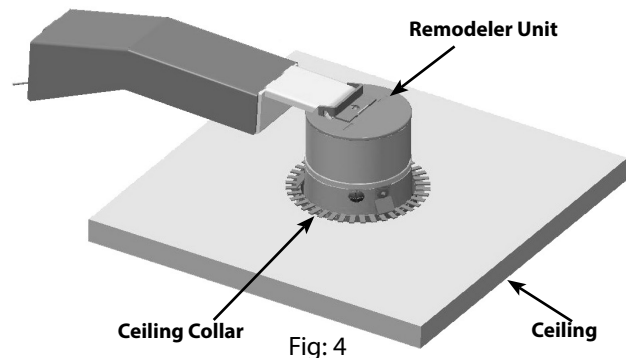


Fig: 4

## CLEANING & MAINTENANCE

**CAUTION: Be sure fixture temperature is cool enough to touch. Do not clean or maintain while fixture is energized.**

1. Do not open fixture to clean the LED. Do not touch the LED.
2. Do not touch reflector, lens or trim cone.
3. Do not clean any fixture surface with wood base cleaning material such as paper towels or tissues.

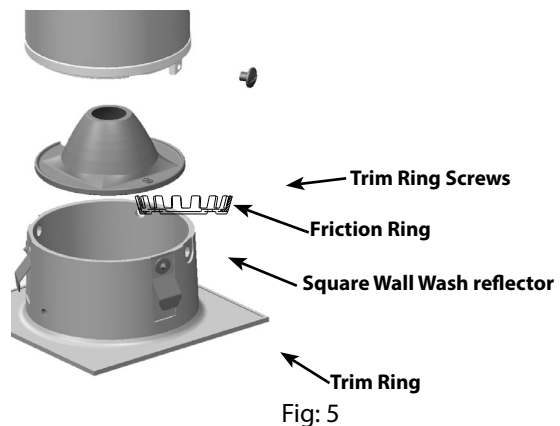


Fig: 5

## TROUBLESHOOTING

1. Check that the line voltage at the fixture is correct. Refer to wiring directions.
2. Is the fixture grounded properly?

## WIRING

**RISK OF FIRE.** Compatible with TRIAC dimmers at 120V, 50 or 60Hz. Drop down supply wires must be at least 9" long to allow fixture removal. For non-dimming (on/off), Electronic Low Voltage (ELV) and TRIAC dimming, follow the wiring directions in Fig. 6.

1. Connect GROUND wire from fixture to supply ground.
2. Connect black fixture lead to the (+) LINE supply lead.
3. Connect white fixture lead to the (-) COMMON supply lead.

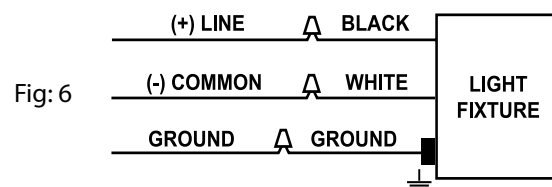


Fig: 6

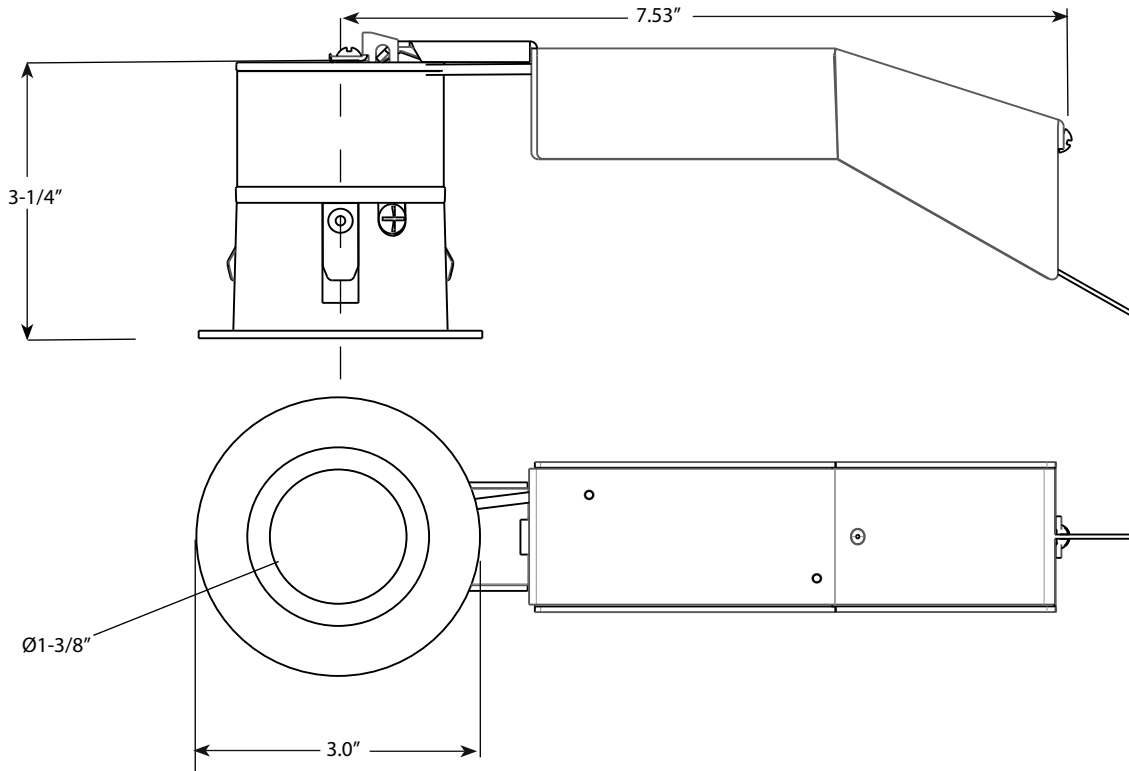
# RDLED2T ND2T WITH TRIM INSTRUCTIONS



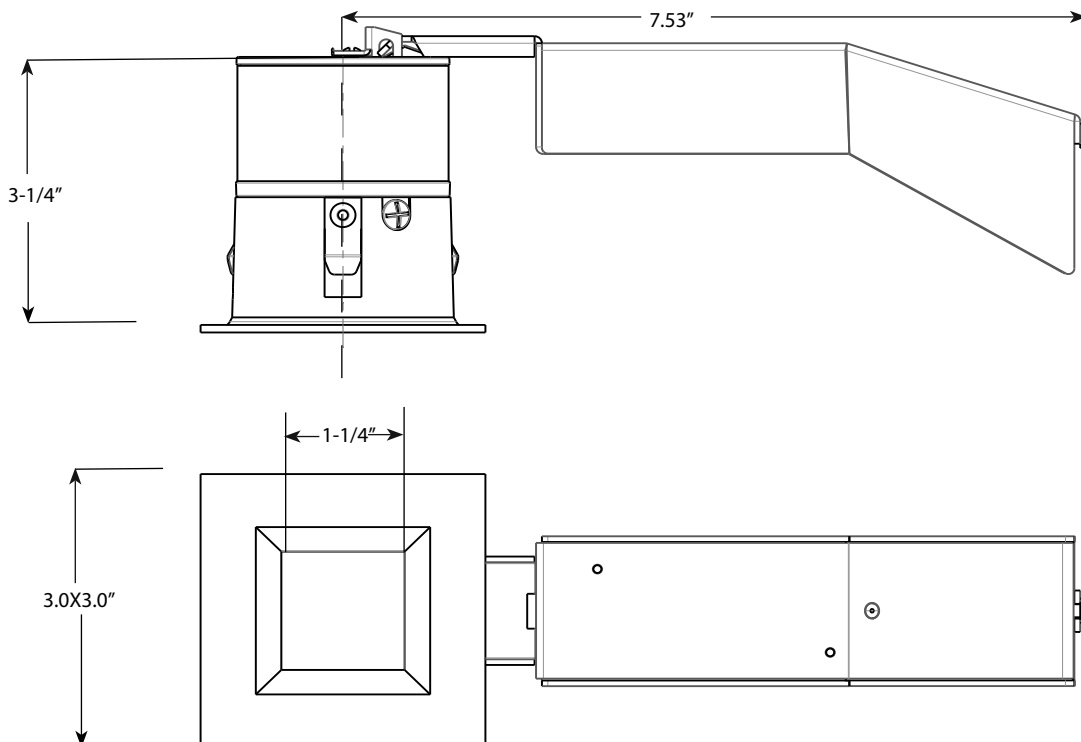
Thank you for buying RAB lighting fixtures. Our goal is to design the best quality products to get the job done right. We'd like to hear your comments. Call the Marketing Department at 888-RAB-1000 or email: [marketing@rablighting.com](mailto:marketing@rablighting.com)

## DIMENSIONAL DRAWING

RDLED2R



RDLED2S



### Easy Answers

© 2018 RAB LIGHTING Inc.  
Northvale, New Jersey 07647 USA

[rablighting.com](http://rablighting.com)  
Visit our website for product info

Tech Help Line  
Call our experts: 888 722-1000

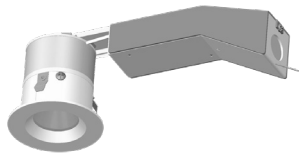
e-mail  
Answered promptly - [sales@rablighting.com](mailto:sales@rablighting.com)

Free Lighting Layouts  
Answered online or by request

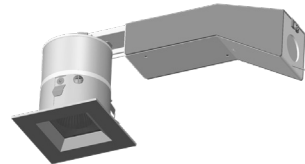
# RDLED2TL ND2TL WITH TRIMLESS INSTRUCTIONS



Thank you for buying RAB lighting fixtures. Our goal is to design the best quality products to get the job done right. We'd like to hear your comments. Call the Marketing Department at 888-RAB-1000 or email: [marketing@rablighting.com](mailto:marketing@rablighting.com)



RDLED2R



RDLED2S

## IMPORTANT

### READ CAREFULLY BEFORE INSTALLING FIXTURE. RETAIN THESE INSTRUCTIONS FOR FUTURE REFERENCE.

RAB fixtures must be wired in accordance with the National Electrical Code and all applicable local codes. Proper grounding is required for safety. THIS PRODUCT MUST BE INSTALLED IN ACCORDANCE WITH THE APPLICABLE INSTALLATION CODE BY A PERSON FAMILIAR WITH THE CONSTRUCTION AND OPERATION OF THE PRODUCT AND THE HAZARDS INVOLVED.

**WARNING: Make certain power is OFF before installing or maintaining fixture.**

**WARNING: Suitable for wet locations where the ambient temperature is 0°C minimum, +40°C maximum.**

**WARNING: Suitable for installation in Non-Accessible and Accessible Ceilings.**

**WARNING: Suitable for installation in Insulated & Non-Insulated Ceilings.**

## SURFACE PREPARATION

- This fixture can be installed with ceiling temperature not exceeding of 40°C and with minimum plenum height of 5".
- The fixture can be used to replace an existing unit or for new construction.
- For both round and square fixture, cutout must be accurate not undersized or oversized. A hole saw is recommended. **CEILING CUT OUT MUST BE FREE OF ANY DEBRIS AND BURRS.**

## ROUGH-IN & REMODELER

### MOUNTING FOR ND2TL

For both round and square fixture, prepare mounting surface with 3-3/16" diameter cutout. Use hole saw only

1. **Nailer bars** are provided for use with wood joist installations. Insert through nailer bar slots and secure accordingly.
2. **Butterfly brackets** provided to use C-Channels. (optionally available, consult factory). Consult local building codes for final support of fixture.
3. The fixture can be mounted into max 3/4" ceiling thickness. For height adjustment, loosen the **Wing Nut** and slide the **Butterfly Bracket**. If necessary remove the **Wing Nut** and insert in screw in different hole provided on the **Butterfly Bracket**. (Fig: 1)
4. Adjust both the **Butterfly Brackets** such that the frame of **Rough-In Section** is flush with the finished ceiling surface. Tighten the **Wing nuts**.
5. Drop down **Supply Wires** must be at least 9" long to allow fixture removal.
6. Loosen the **Junction Box Screw** and open the **Junction Box** (Fig.2). Attach **Supply Wires** into **Junction Box** and connect to the fixture. See wiring section for details.
7. Push up and slide the **Junction Box** section into the ceiling. Be sure the **Spring Clips** is snapped in and **Trim Ring** is flush and secure. Allow the Junction Box section of housing to rest on the **Leg** support of the **Rough-in Section**.

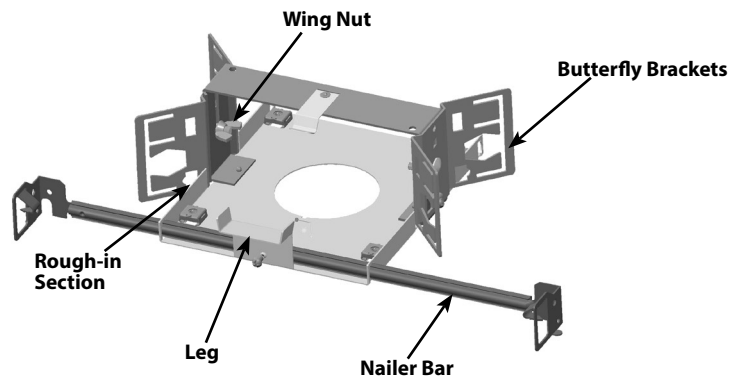


Fig: 1

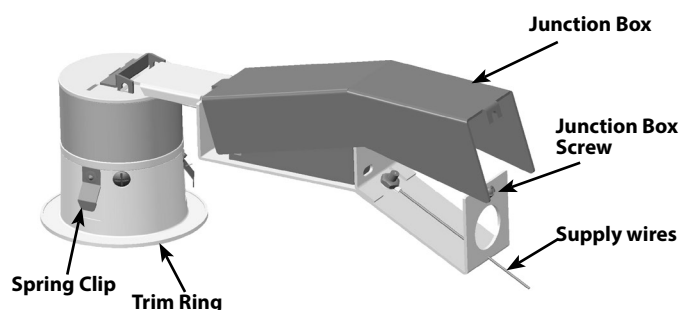


Fig: 2

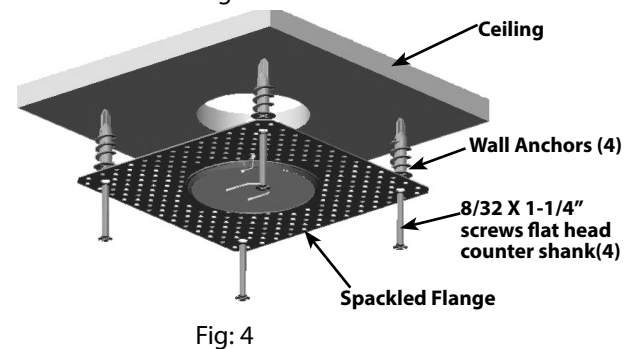
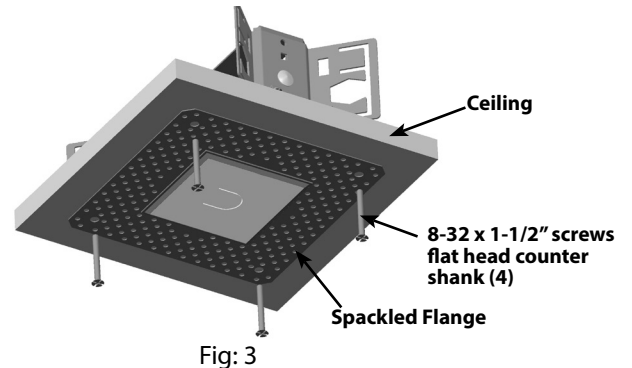
# RDLED2TL ND2TL WITH TRIMLESS INSTRUCTIONS



Thank you for buying RAB lighting fixtures. Our goal is to design the best quality products to get the job done right. We'd like to hear your comments. Call the Marketing Department at 888-RAB-1000 or email: [marketing@rablighting.com](mailto:marketing@rablighting.com)

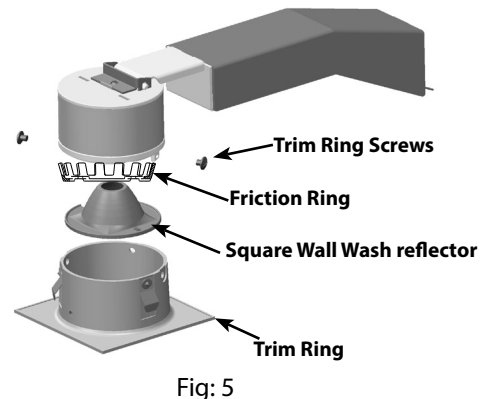
## SPACKLED FLANGE MOUNTING

1. Place **Spackle Flange** on ceiling and align the opening with the ceiling cutout. Carefully mark the (4) hole pattern on ceiling and remove **Spackle Flange**.
2. For New Construction (Fig: 3): Use a 7/32" drill bit to drill ceiling typical 5/8" ceiling depth. Align rib of **Spackle Flange** to rib in **Rough-in**. Insert the **Spackle Flange** and secure with 8-32 x 1-1/2" flat head counter shank machine screws.
- NOTE: DO NOT DRILL HOLES DEEPER THAN THE CEILING THICKNESS.**
3. For Remodeler Unit without rough-in frame (Fig4): Use 5/16" drill bit and drill ceiling at 4 marked places. Install **Wall Anchors** and secure **Spackled Flange** with 8-32 X 1-1/4" flat head counter shank sheet metal screws.
4. Apply joint compound to spackle frame edge. Remove **Dust protector** and remove small debris and make it flush to ceiling.



## WALLWASH MOUNTING

1. For the Wallwash Model, orient the fixture such that the **Reflector** is aimed in correct orientation. Look for 'Towards the Wall' label on the fixture.
2. If necessary, the position of the wall wash reflector can be changed. Unscrew the two **Trim Ring screws** and remove the **Trim Ring**.
3. Remove the **Friction Ring**, and change the position of the reflector. Note: **Square Wall Wash reflector** can rotate by 90°. Be sure the slot on the Reflector is aligned to slot in **Trim Ring**.



## CLEANING & MAINTENANCE

**CAUTION: Be sure fixture temperature is cool enough to touch. Do not clean or maintain while fixture is energized.**

1. Do not open fixture to clean the LED. Do not touch the LED.
2. Do not touch reflector, lens or trim cone.
3. Do not clean any fixture surface with wood base cleaning material such as paper towels or tissues.

## TROUBLESHOOTING

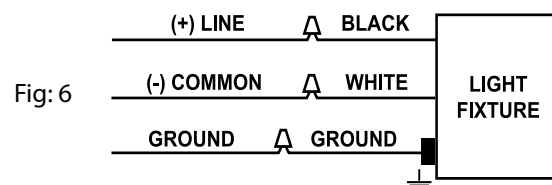
1. Check that the line voltage at the fixture is correct. Refer to wiring directions.
2. Is the fixture grounded properly?

Note: These instructions do not cover all details or variations in equipment nor do they provide for every possible situation during installation, operation or maintenance.

## WIRING

**RISK OF FIRE.** Compatible with TRIAC dimmers at 120V, 50 or 60Hz. Drop down supply wires must be at least 9" long to allow fixture removal. For non-dimming (on/off), Electronic Low Voltage (ELV) and TRIAC dimming, follow the wiring directions in Fig. 6.

1. Connect GROUND wire from fixture to supply ground.
2. Connect black fixture lead to the (+) LINE supply lead.
3. Connect white fixture lead to the (-) COMMON supply lead.



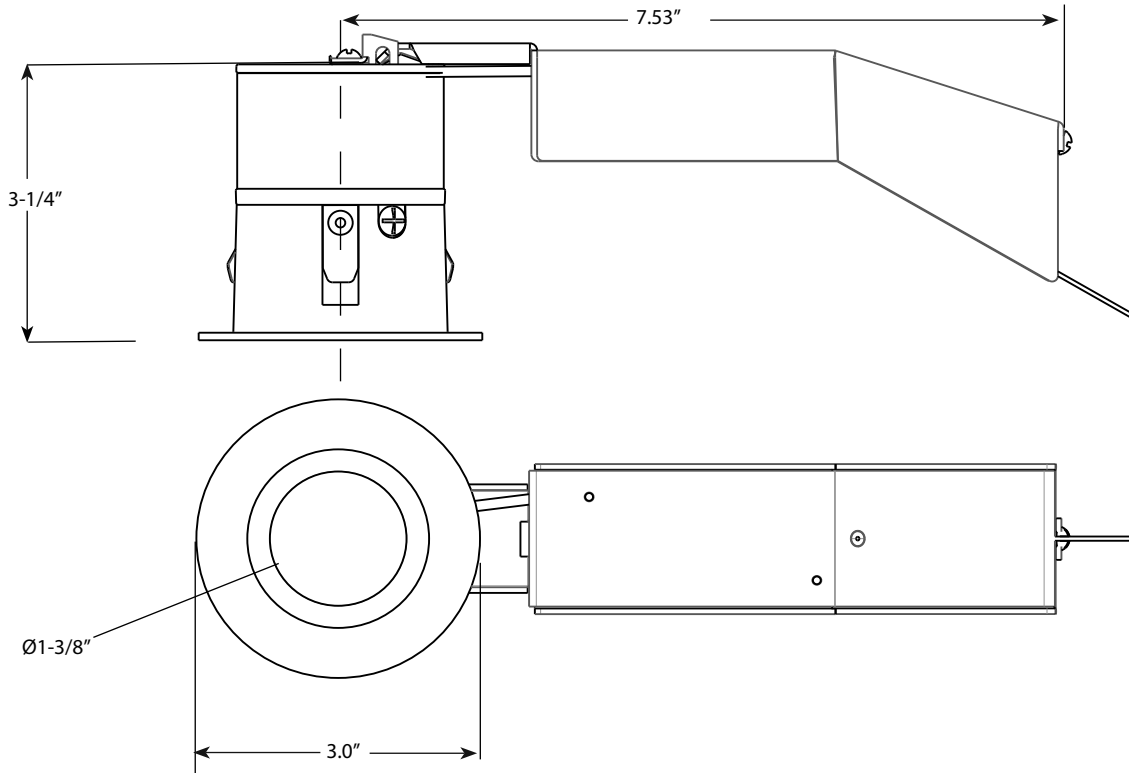
# RDLED2TL ND2TL WITH TRIMLESS INSTRUCTIONS



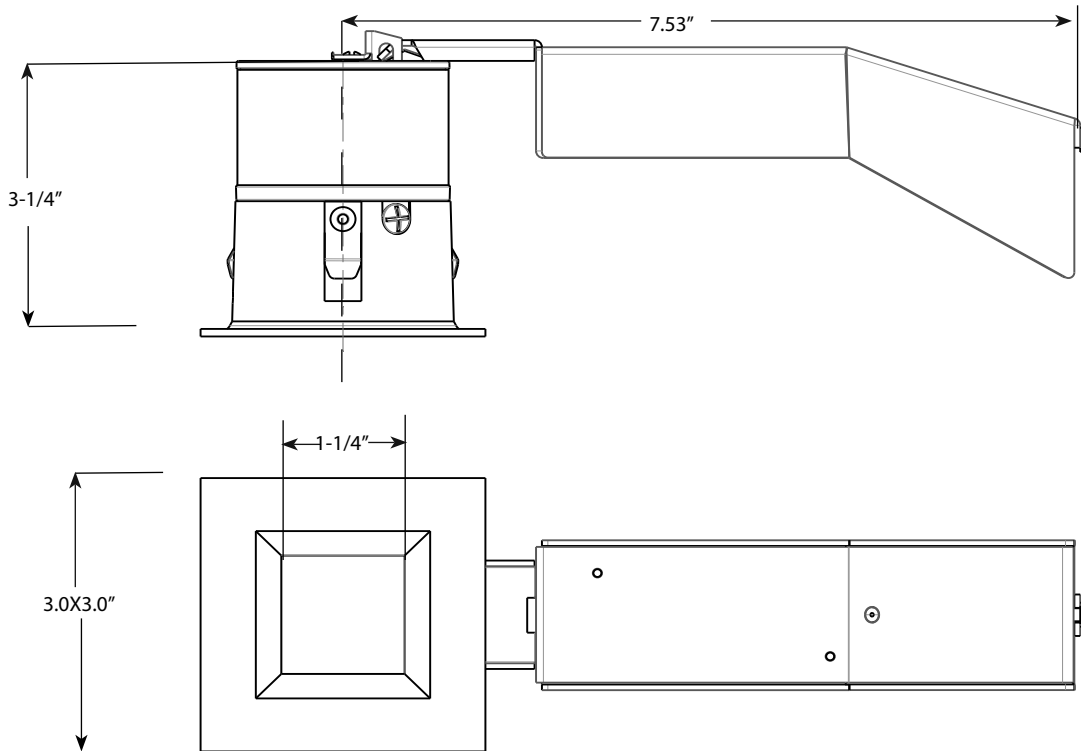
Thank you for buying RAB lighting fixtures. Our goal is to design the best quality products to get the job done right. We'd like to hear your comments. Call the Marketing Department at 888-RAB-1000 or email: [marketing@rablighting.com](mailto:marketing@rablighting.com)

## DIMENSIONAL DRAWING

RDLED2R



RDLED2S



### Easy Answers

© 2018 RAB LIGHTING Inc.  
Northvale, New Jersey 07647 USA

[rablighting.com](http://rablighting.com)  
Visit our website for product info

Tech Help Line  
Call our experts: 888 722-1000

e-mail  
Answered promptly - [sales@rablighting.com](mailto:sales@rablighting.com)

Free Lighting Layouts  
Answered online or by request