



Color: Black trim

Weight: 1.8 lbs

Project:

Type:

Prepared By:

Date:

**Driver Info**

|             |                  |
|-------------|------------------|
| Type        | Constant Current |
| 120V        | 0.08A            |
| 208V        | N/A              |
| 240V        | N/A              |
| 277V        | N/A              |
| Input Watts | 8.3W             |

**LED Info**

|                |                      |
|----------------|----------------------|
| Watts          | 8W                   |
| Color Temp     | 3500K (Warm Neutral) |
| Color Accuracy | 82 CRI               |
| L70 Lifespan   | 100,000 Hours        |
| Lumens         | 761 lm               |
| Efficacy       | 91.7 lm/W            |

**Technical Specifications****Compliance****UL Listed:**

Suitable for wet locations in a covered ceiling

**Performance****Lifespan:**

100,000-Hour LED lifespan based on IES LM-80 results and TM-21 calculations

**Wattage Equivalency:**

Equivalent to 50W MR16

**Construction****IC Rated:**

Suitable for direct contact with insulation

**Trim Component:**

This component can be ordered with New Construction housing in order to make a complete fixture.

[See here for New Construction Housing](#)**Maximum Ambient Temperature:**

Suitable for use in up to 40°C (104°F)

**Cold Weather Starting:**

The minimum starting temperature is -40°C (-40°F)

**Lens:**

Polycarbonate diffusion lens for smooth light output

**Junction Box:**Integral junction box with wiring capacity for Min 60°C supply conductors  
End of Run**Housing:**

Specification-grade, die-cast aluminum construction

**Installation:**

Torsion springs easily install into ceiling collar (remodeler) or rough-in (new construction)

**Trim Ring:**

Black powder coated die cast 1/2" trim ring

**Green Technology:**

Mercury and UV free. RoHS-compliant components.

**Finish:**

Our environmentally friendly polyester powder coatings are formulated for high-durability and long-lasting color

**LED Characteristics****LEDs:**

Long-life, high-efficacy, surface-mount LEDs

**Color Consistency:**

2-step MacAdam Ellipse binning to achieve consistent fixture-to-fixture color

**Color Stability:**

LED color temperature is warrantied to shift no more than 200K in color temperature over a 5-year period

**Electrical****Driver:**

Constant Current, Class 2, 120VAC Only, 50/60Hz, 200mA, 0.08A

**Dimming Driver:**TRIAC and ELV (at 120V only).  
[See dimmer compatibility guide here.](#)**Optical****Optics:**

30° beam spread with specular thermoplastic optics

**Spacing Criteria:**0 to 180° (along): 0.42  
90 to 270° (across): 0.52  
diagonal: 0.52

## Technical Specifications (continued)

### Maximum Tilt:

30°

### Other

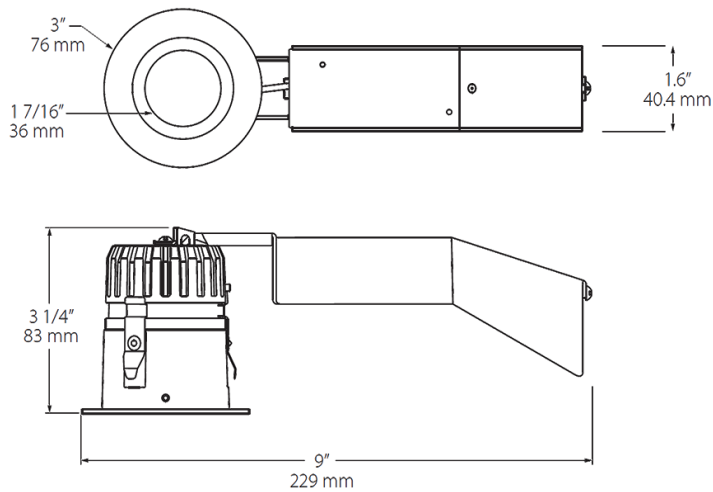
#### Warranty:

RAB warrants that our LED products will be free from defects in materials and workmanship for a period of five (5) years from the date of delivery to the end user, including coverage of light output, color stability, driver performance and fixture finish. RAB's warranty is subject to all terms and conditions found at [rablighting.com/warranty](http://rablighting.com/warranty).

#### Buy American Act Compliance:

RAB values USA manufacturing! Upon request, RAB may be able to manufacture this product to be compliant with the Buy American Act (BAA). Please contact customer service to request a quote for the product to be made BAA compliant.

## Dimensions



## Features

- 8W replaces 50W MR16 with energy savings of 82%
- TRIAC dimmer compatibility for additional light control
- Precision-engineered optics deliver smooth light without hot spots or glare

## Ordering Matrix

| Family | Size/Shape                | Wattage | Beam Spread   | Color Temp  | CRI                           | Trim                                | Trim Ring Color                                 |
|--------|---------------------------|---------|---|---|-------------------------------|-------------------------------------|---|
| RDLED  | 2AR                       | 8       | 30  | YN  |                               | T                                   | B   |
|        | 2AR = 2" Adjustable Round | 8 = 8W  | 20 = 20 degrees<br>30 = 30 degrees<br>40 = 40 degrees | N = 4000K Neutral<br>YN = 3500K Warm Neutral<br>Y = 3000K Warm<br>YY = 2700K Residential Warm | Blank = 80 CRI<br>HC = 90 CRI | T = 1/2" Trim<br>TL = Trimless Look | S = Matte Silver<br>W = White<br>B = Black Trim |