



Color: Black trim

Weight: 1.8 lbs

Project:

Type:

Prepared By:

Date:

Driver Info

| | |
|-------------|------------------|
| Type | Constant Current |
| 120V | 0.08A |
| 208V | N/A |
| 240V | N/A |
| 277V | N/A |
| Input Watts | 8.6W |

LED Info

| | |
|----------------|--------------------------|
| Watts | 8W |
| Color Temp | 2700K (Residential Warm) |
| Color Accuracy | 83 CRI |
| L70 Lifespan | 100,000 Hours |
| Lumens | 644 lm |
| Efficacy | 74.9 lm/W |

Technical Specifications

Compliance

UL Listed:

Suitable for wet locations in a covered ceiling

Performance

Lifespan:

100,000-Hour LED lifespan based on IES LM-80 results and TM-21 calculations

Wattage Equivalency:

Equivalent to 50W MR16

Construction

IC Rated:

Suitable for direct contact with insulation

Trim Component:

This component can be ordered with New Construction housing in order to make a complete fixture.

[See here for New Construction Housing](#)

Maximum Ambient Temperature:

Suitable for use in up to 40°C (104°F)

Cold Weather Starting:

The minimum starting temperature is -40°C (-40°F)

Lens:

Polycarbonate diffusion lens for smooth light output

Junction Box:

Integral junction box with wiring capacity for Min 60°C supply conductors
End of Run

Housing:

Specification-grade, die-cast aluminum construction

Installation:

Torsion springs easily install into ceiling collar (remodeler) or rough-in (new construction)

Trim Ring:

Black powder coated die cast 1/2" trim ring

Green Technology:

Mercury and UV free. RoHS-compliant components.

Finish:

Our environmentally friendly polyester powder coatings are formulated for high-durability and long-lasting color

LED Characteristics

LEDs:

Long-life, high-efficacy, surface-mount LEDs

Color Consistency:

2-step MacAdam Ellipse binning to achieve consistent fixture-to-fixture color

Color Stability:

LED color temperature is warrantied to shift no more than 200K in color temperature over a 5-year period

Electrical

Driver:

Constant Current, Class 2, 120VAC Only, 50/60Hz, 200mA, 0.08A

Dimming Driver:

TRIAC and ELV (at 120V only).
[See dimmer compatibility guide here.](#)

Optical

Optics:

20° beam spread with specular thermoplastic optics

Spacing Criteria:

0 to 180° (along): 0.34
90 to 270° (across): 0.34
diagonal: 0.38

Technical Specifications (continued)

Maximum Tilt:

30°

Other

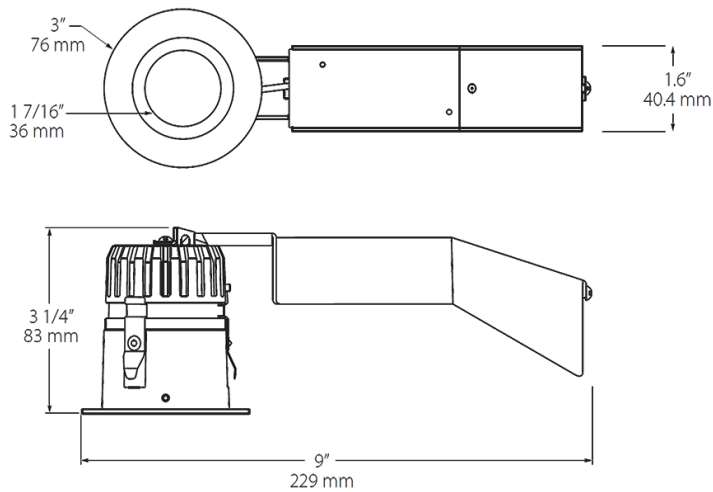
Warranty:

RAB warrants that our LED products will be free from defects in materials and workmanship for a period of five (5) years from the date of delivery to the end user, including coverage of light output, color stability, driver performance and fixture finish. RAB's warranty is subject to all terms and conditions found at rablighting.com/warranty.

Buy American Act Compliance:

RAB values USA manufacturing! Upon request, RAB may be able to manufacture this product to be compliant with the Buy American Act (BAA). Please contact customer service to request a quote for the product to be made BAA compliant.

Dimensions



Features

- 8W replaces 50W MR16 with energy savings of 82%
- TRIAC dimmer compatibility for additional light control
- Precision-engineered optics deliver smooth light without hot spots or glare

Ordering Matrix

| Family | Size/Shape | Wattage | Beam Spread | Color Temp | CRI | Trim | Trim Ring Color |
|--------|---------------------------|---------|---|---|-------------------------------|-------------------------------------|---|
| RDLED | 2AR | 8 | 20 | YY | | T | B |
| | 2AR = 2" Adjustable Round | 8 = 8W | 20 = 20 degrees 30 = 30 degrees 40 = 40 degrees | N = 4000K Neutral YN = 3500K Warm Neutral Y = 3000K Warm YY = 2700K Residential Warm | Blank = 80 CRI HC = 90 CRI | T = 1/2" Trim TL = Trimless Look | S = Matte Silver W = White B = Black Trim |