



2" deep regress downlight delivers higher lumen output and reduces glare.

Color: White trim black cone

Weight: 2.9 lbs

**Project:**

**Type:**

**Prepared By:**

**Date:**

### Driver Info

|             |                  |
|-------------|------------------|
| Type        | Constant Current |
| 120V        | 0.11A            |
| 208V        | 0.07A            |
| 240V        | 0.06A            |
| 277V        | 0.05A            |
| Input Watts | 11.6W            |

### LED Info

|                |               |
|----------------|---------------|
| Watts          | 10W           |
| Color Temp     | 3000K (Warm)  |
| Color Accuracy | 91 CRI        |
| L70 Lifespan   | 100,000 Hours |
| Lumens         | 743 lm        |
| Efficacy       | 64.1 lm/W     |

## Technical Specifications

### Compliance

#### UL Listed:

Suitable for Wet Locations. Covered Ceiling Mount Only.

### Electrical

#### Driver:

Constant Current, Class 2, 120-277V, 50/60 Hz, 120V: 0.11A, 208V: 0.07A, 240V: 0.06A, 277V: 0.05A

#### Dimming Driver:

0 - 10V (at 120-277V), TRIAC and ELV (at 120V only).

[See dimmer compatibility guide here.](#)

#### THD:

16.2% at 120V, 26.1% at 277V

#### Power Factor:

98.4% at 120V, 90.3% at 277V

#### Surge Protection:

4kV

### Optical

#### Optics:

40°

### Performance

#### Lifespan:

100,000-Hour LED lifespan based on IES LM-80 results and TM-21 calculations

### LED Characteristics

#### LEDs:

Long-life, high-efficiency, surface-mount LEDs

#### Color Stability:

LED color temperature is warrantied to shift no more than 200K in color temperature over a 5-year period

### Construction

#### Cold Weather Starting:

Minimum starting temperature is -35°C (-31°F)

#### Maximum Ambient Temperature:

Suitable for use in up to 40°C (104°F)

#### Housing:

Specification-grade, die-cast aluminum construction

#### Reflector:

Vacuum-metallized polycarbonate

#### Trim Ring:

White powder coated die cast trimless ring

### Trim Cone:

Black square trim cone

### Lens:

Optical grade polycarbonate

### Green Technology:

Mercury and UV free. RoHS-compliant components.

### Other

#### Replacement:

Replaces 75W MR16

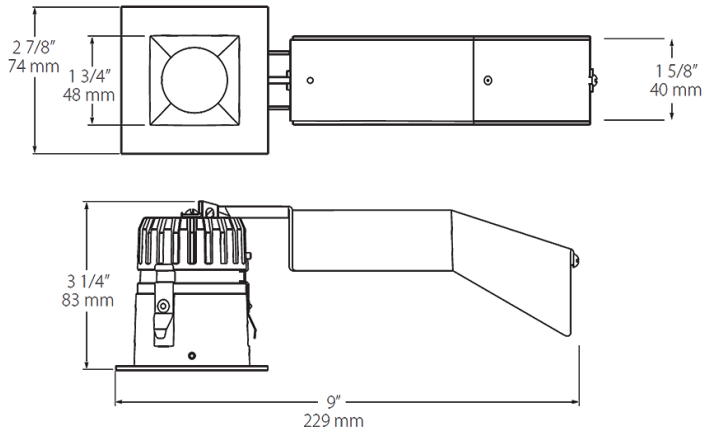
### Warranty:

RAB warrants that our LED products will be free from defects in materials and workmanship for a period of five (5) years from the date of delivery to the end user, including coverage of light output, color stability, driver performance and fixture finish. RAB's warranty is subject to all terms and conditions found at [rablighting.com/warranty](http://rablighting.com/warranty).

### Buy American Act Compliance:

RAB values USA manufacturing! Upon request, RAB may be able to manufacture this product to be compliant with the Buy American Act (BAA). Please contact customer service to request a quote for the product to be made BAA compliant.

## Dimensions



## Features

- 10W replaces 75W MR16
- Universal dimming (TRIAC, ELV and 0-10V) for optimal light control
- Deep regress design improves visual cutoff and reduces glare

## Ordering Matrix

| Family | Size/Shape                      | Wattage  | Driver               | Optics   | Color Temp  | CRI                           | Trim Cone   | Trim Ring   | Trim Style                     |
|--------|---------------------------------|----------|----------------------|--|---|-------------------------------|---|---|--------------------------------|
| RDDLED | 2S                              | 10       | D                    | 40   | Y   | HC                            | B   | W   | TL                             |
|        | 2R = 2" Round<br>2S = 2" Square | 10 = 10W | D = Universal Dimmer | 20 = 20<br>30 = 30<br>40 = 40<br>W = Wall Wash | YY = 2700K Residential Warm<br>Y = 3000K Warm<br>YN = 3500K Warm Neutral<br>N = 4000K Neutral | Blank = 80 CRI<br>HC = 90 CRI | W = White<br>B = Black<br>S = Specular<br>M = Matte | W = White<br>B = Black<br>S = Silver<br>SA = Satin Aluminum | T = 1/2" Trim<br>TL = Trimless |