



2" deep regress downlight delivers higher lumen output and reduces glare.

Color: Black trim black cone

Weight: 1.0 lbs

Project:

Type:

Prepared By:

Date:

Driver Info

| | |
|-------------|------------------|
| Type | Constant Current |
| 120V | 0.11A |
| 208V | 0.07A |
| 240V | 0.06A |
| 277V | 0.05A |
| Input Watts | 12.2W |

LED Info

| | |
|----------------|---------------|
| Watts | 10W |
| Color Temp | 3000K (Warm) |
| Color Accuracy | 81 CRI |
| L70 Lifespan | 100,000 Hours |
| Lumens | 651 lm |
| Efficacy | 53.4 lm/W |

Technical Specifications

Compliance

UL Listed:

Suitable for Wet Locations. Covered Ceiling Mount Only.

Electrical

Driver:

Constant Current, Class 2, 120-277V, 50/60 Hz, 120V: 0.11A, 208V: 0.07A, 240V: 0.06A, 277V: 0.05A

Dimming Driver:

0 - 10V (at 120-277V), TRIAC and ELV (at 120V only).
See [dimmer compatibility guide here](#).

THD:

15.8% at 120V, 27.3% at 277V

Power Factor:

98.5% at 120V, 90.2% at 277V

Surge Protection:

4kV

Optical

Optics:

Wall Wash

Performance

Lifespan:

100,000-Hour LED lifespan based on IES LM-80 results and TM-21 calculations

LED Characteristics

LEDs:

Long-life, high-efficiency, surface-mount LEDs

Color Stability:

LED color temperature is warrantied to shift no more than 200K in color temperature over a 5-year period

Construction

Cold Weather Starting:

Minimum starting temperature is -35°C (-31°F)

Maximum Ambient Temperature:

Suitable for use in up to 40°C (104°F)

Housing:

Specification-grade, die-cast aluminum construction

Reflector:

Vacuum-metallized polycarbonate

Trim Ring:

Black powder coated die cast trimless ring

Trim Cone:

Black round trim cone

Lens:

Optical grade polycarbonate

Green Technology:

Mercury and UV free. RoHS-compliant components.

Other

Replacement:

Replaces 75W MR16

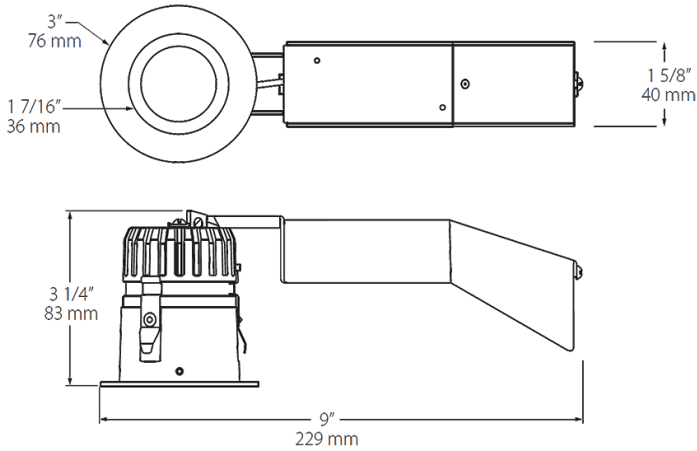
Warranty:

RAB warrants that our LED products will be free from defects in materials and workmanship for a period of five (5) years from the date of delivery to the end user, including coverage of light output, color stability, driver performance and fixture finish. RAB's warranty is subject to all terms and conditions found at rablighting.com/warranty.

Buy American Act Compliance:

RAB values USA manufacturing! Upon request, RAB may be able to manufacture this product to be compliant with the Buy American Act (BAA). Please contact customer service to request a quote for the product to be made BAA compliant.

Dimensions



Features

10W replaces 75W MR16

Universal dimming (TRIAC, ELV and 0-10V) for optimal light control

Deep regress design improves visual cutoff and reduces glare

Ordering Matrix

| Family | Size/Shape | Wattage | Driver | Optics | Color Temp | CRI | Trim Cone | Trim Ring | Trim Style |
|--------|---------------------------------|----------|----------------------|------------------------------------------------|-----------------------------------------------------------------------------------------------|-------------------------------|-----------------------------------------------------|-------------------------------------------------------------|--------------------------------|
| RDDLED | 2R | 10 | D | W | Y | | B | B | TL |
| | 2R = 2" Round 2S = 2" Square | 10 = 10W | D = Universal Dimmer | 20 = 20 30 = 30 40 = 40 W = Wall Wash | YY = 2700K Residential Warm Y = 3000K Warm YN = 3500K Warm Neutral N = 4000K Neutral | Blank = 80 CRI HC = 90 CRI | W = White B = Black S = Specular M = Matte | W = White B = Black S = Silver SA = Satin Aluminum | T = 1/2" Trim TL = Trimless |