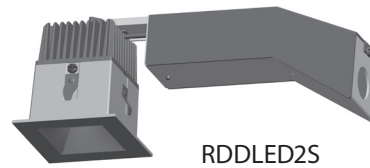
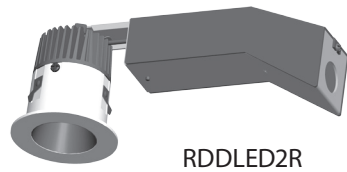


INSTRUCTIONS

2" TRIMLESS DOWNLIGHTS INSTALLATION

RAB®

RAB Lighting is committed to creating high-quality, affordable, well-designed and energy-efficient LED lighting and controls that make it easy for electricians to install and end users to save energy. We'd love to hear your comments. Please call the Marketing Department at 888-RAB-1000 or email: marketing@rablighting.com



IMPORTANT

READ CAREFULLY BEFORE INSTALLING FIXTURE. RETAIN THESE INSTRUCTIONS FOR FUTURE REFERENCE.

RAB fixtures must be wired in accordance with the National Electrical Code and all applicable local codes. Proper grounding is required for safety. THIS PRODUCT MUST BE INSTALLED IN ACCORDANCE WITH THE APPLICABLE INSTALLATION CODE BY A PERSON FAMILIAR WITH THE CONSTRUCTION AND OPERATION OF THE PRODUCT AND THE HAZARDS INVOLVED.

WARNING: Make certain power is OFF before installing or maintaining fixture.

WARNING: Suitable for wet locations with covered ceiling mount.

WARNING: Suitable for installation in Non-Accessible and Accessible Ceilings.

WARNING: Suitable for installation in Non-Insulated Ceilings.

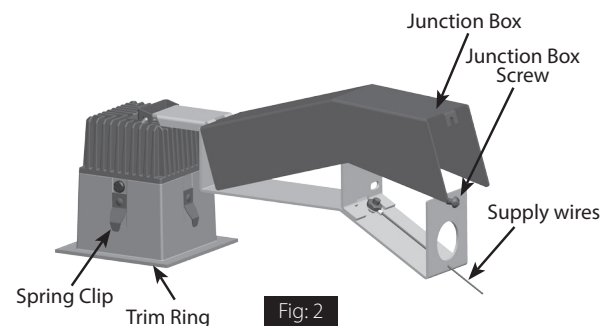
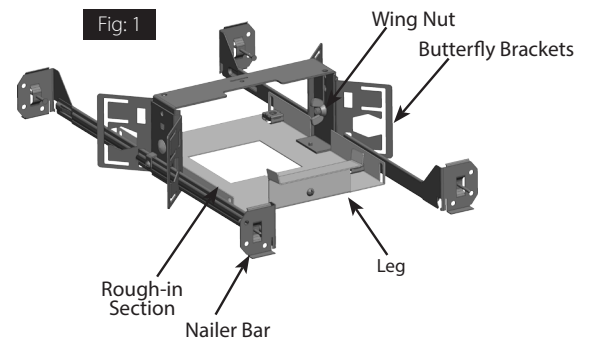
SURFACE PREPARATION

- This fixture can be installed with minimum plenum height of 5".
- The fixture can be used to replace an existing unit or for new construction.
- Cutout must be accurate not undersized or oversized. A hole saw is recommended. **CEILING CUT OUT MUST BE FREE OF ANY DEBRIS AND BURRS.**

ROUGH-IN MOUNTING FOR ND2RTL/ND2STL

For round ceiling cut out 3-3/16" dia. For square ceiling use the 3-3/16" sq cut out template from packaging material.

1. **Nailer Bars** are provided for use with wood joist installations. Insert through **Nailer Bar** slots and secure accordingly.
2. **Butterfly Brackets** provided to use C-Channels (*optionally available, consult factory*). Consult local building codes for final support of fixture.
3. The fixture can be mounted into max 3/4" ceiling thickness. For height adjustment, loosen the **Wing Nut** and slide the **Butterfly Bracket**. If necessary remove the **Wing Nut** and insert in screw in different hole provided on the **Butterfly Bracket** (Fig. 1).
4. Adjust both the **Butterfly Brackets** such that the frame of **Rough-In Section** is flush with the finished ceiling surface. Tighten the **Wing Nuts**.
5. Drop down **Supply Wires**, must be at least 9" long to allow fixture removal.
6. Loosen the **Junction Box Screw** and open the **Junction Box** (Fig.2). Attach **Supply Wires** into **Junction Box** and connect to the fixture. See wiring section for details.
7. Push up and slide the **Junction Box** section into the ceiling. Be sure the **Spring Clips** is snapped in and **Trim Ring** is flush and secure. Allow the **Junction Box** section of housing to rest on the **Leg** support of the **Rough-in Section**.



INSTRUCTIONS

2" TRIMLESS DOWNLIGHTS INSTALLATION



RAB Lighting is committed to creating high-quality, affordable, well-designed and energy-efficient LED lighting and controls that make it easy for electricians to install and end users to save energy. We'd love to hear your comments. Please call the Marketing Department at 888-RAB-1000 or email: marketing@rablighting.com

SPACKLED FLANGE MOUNTING

1. Place **Spackle Flange** on ceiling and align the opening with the ceiling cutout. Carefully mark the (4) hole pattern on ceiling and remove **Spackle Flange**.
2. For New Construction (Fig: 3): Use a 7/32" drill bit to drill ceiling typical 5/8" ceiling depth. Align rib of **Spackle Flange** to rib in **Rough-in**. Insert the **Spackle Flange** and secure with 8-32 x 1-1/2" flat head counter shank machine screws. **NOTE: DO NOT DRILL HOLES DEEPER THAN THE CEILING THICKNESS.**
3. For Remodeler Unit (Fig4): Use 5/16" drill bit and drill ceiling at 4 marked places. Install **Wall Anchors** and secure **Spackled Flange** with 8-32 X 1-1/4" flat head counter shank sheet metal screws.
4. Apply joint compound to spackle frame edge. Remove Dust protector and remove small debris and make it flush to ceiling.

Fig: 3

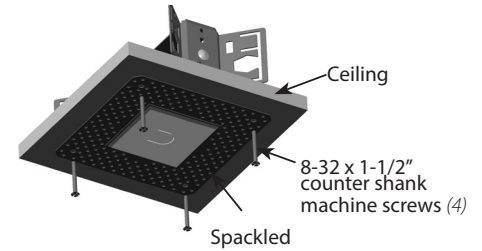
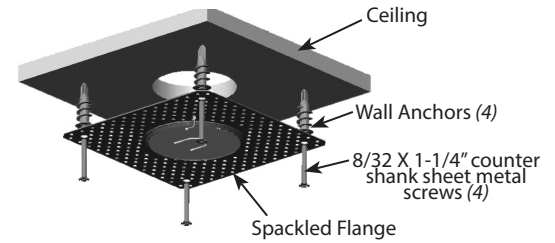


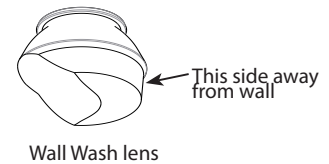
Fig: 4



WALL MOUNTING

1. For the Wallwash Model, orient the fixture such that the **Lens** such that the **thin section** is aimed in correct orientation.
2. If necessary, rotate of the wall wash lens to orient in certain direction.

Fig: 5



WIRING

RISK OF FIRE. Universal voltage driver permits operation at 120V thru 277V, 50 or 60 Hz. Drop down supply wires must be at least 9" long to allow fixture removal. For Non-Dimming (on/off), Electronic Low Voltage (ELV) and Triac Dimming follow the wiring directions in Fig. 6. For 0-10V dimming see Fig. 7.

1. Connect **GROUND** wire from fixture to supply ground.
2. Connect black fixture lead to the (+) **LINE** supply lead.
3. Connect white fixture lead to the (-) **COMMON** supply lead.

Fig: 6

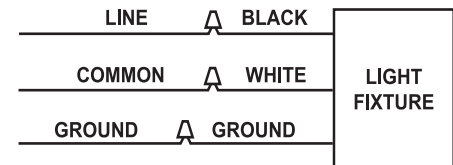
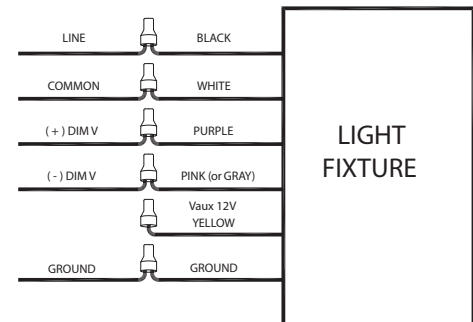


Fig: 7



Note: These instructions do not cover all details or variations in equipment nor do they provide for every possible situation during installation, operation or maintenance.



Easy Answers

rablighting.com
Visit our website for product info

Tech Help Line
Call our experts: 888 722-1000

e-mail
Answered promptly - sales@rablighting.com

Free Lighting Layouts
Answered online or by request

INSTRUCTIONS

2" TRIMLESS DOWNLIGHTS INSTALLATION



RAB Lighting is committed to creating high-quality, affordable, well-designed and energy-efficient LED lighting and controls that make it easy for electricians to install and end users to save energy. We'd love to hear your comments. Please call the Marketing Department at 888-RAB-1000 or email: marketing@rablighting.com

CLEANING & MAINTENANCE

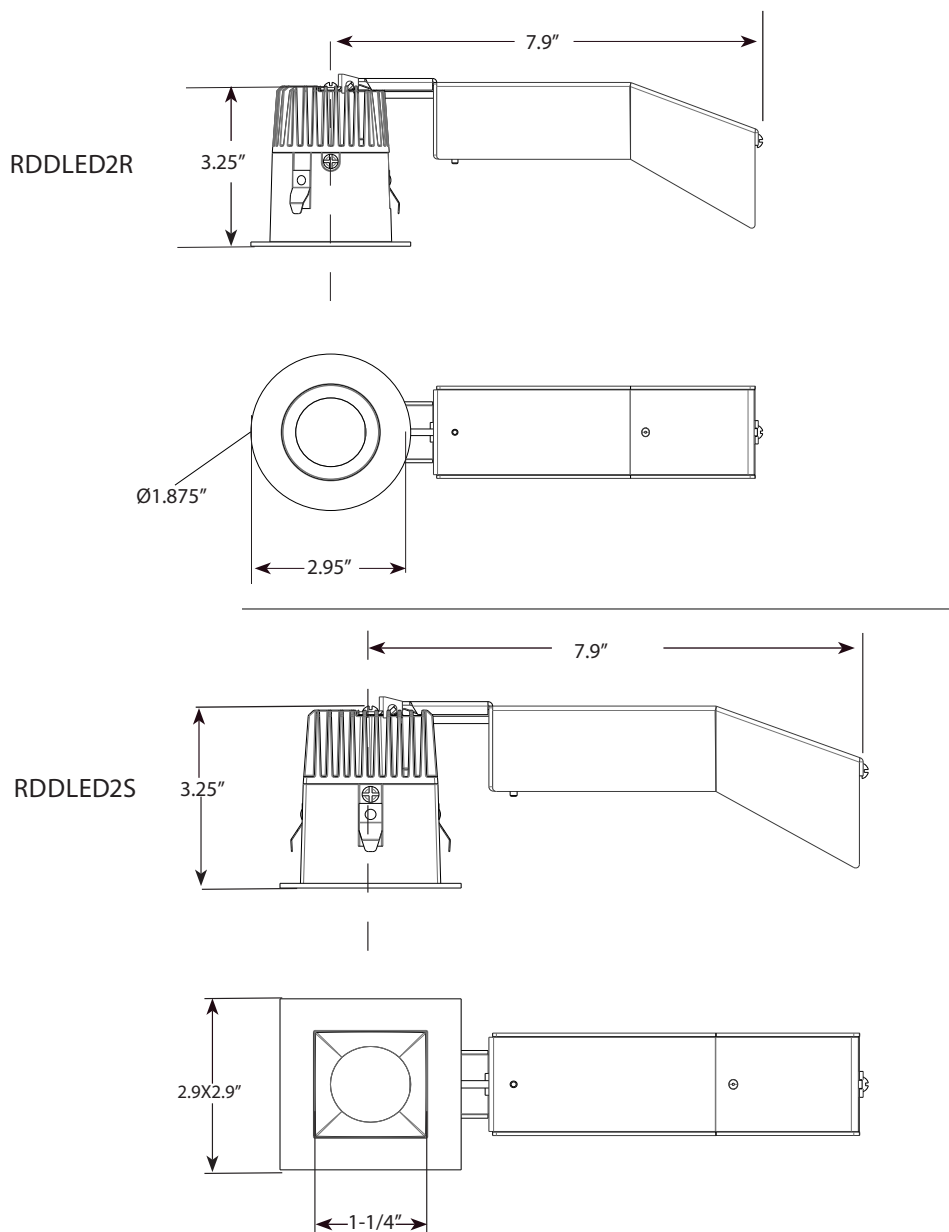
CAUTION: Be sure fixture temperature is cool enough to touch. Do not clean or maintain while fixture is energized.

1. Do not open fixture to clean the LED. Do not touch the LED.
2. Do not touch reflector, lens or trim cone.
3. Do not clean any fixture surface with wood base cleaning material such as paper towels or tissues.

TROUBLESHOOTING

1. Check that the line voltage at the fixture is correct. Refer to wiring directions.
2. Is the fixture grounded properly?

DIMENSIONAL DRAWING



© 2022 RAB LIGHTING Inc.

Easy Answers

rablighting.com
Visit our website for product info

Tech Help Line
Call our experts: 888 722-1000

e-mail
Answered promptly - sales@rablighting.com

Free Lighting Layouts
Answered online or by request