



Project:	Type:
Prepared By:	Date:

Driver Info		LED Info	
Type	Constant Current	Watts	400W
120V	3.34A	Color Temp	5000K (Cool)
208V	2.01A	Color Accuracy	84 CRI
240V	1.74A	L70 Lifespan	100,000 Hours
277V	1.47A	Lumens	53,141 lm
Input Watts	393.7W	Efficacy	135 lm/W

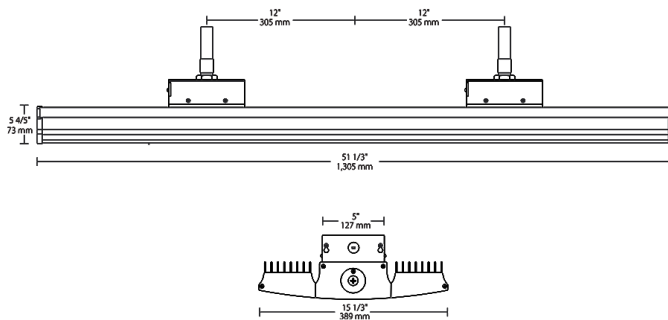
Technical Specifications		
<p>Compliance</p> <p>UL Listed: Suitable for damp locations</p> <p>IESNA LM-79 & LM-80 Testing: RAB LED luminaires and LED components have been tested by an independent laboratory in accordance with IESNA LM-79 and LM-80.</p> <p>Performance</p> <p>Lifespan: 100,000-Hour LED lifespan based on IES LM-80 results and TM-21 calculations</p> <p>LED Characteristics</p> <p>LEDs: Long-life, high-efficacy, surface-mount LEDs</p> <p>Color Stability: LED Color temperature is warrantied to shift no more than 200K in color temperature over a 5-year period</p> <p>Color Uniformity: RAB's range of Correlated Color Temperature follows the guidelines of the American National Standard for Specifications for the Chromaticity of Solid State Lighting (SSL) Products, ANSI C78.377-2017.</p>	<p>Electrical</p> <p>Driver: Constant Current, Class 2, 120-277V, 50/60Hz, 120V: 3.34A, 208V: 2.01A, 240V: 1.74A, 277V 1.47A</p> <p>THD: 4.82% at 120V, 6.54% at 277V</p> <p>Power Factor: 99.9% at 120V, 95% at 277V</p> <p>Surge Protection: 4kV</p> <p>Battery Backup: Battery backup will operate the fixture for 90 minutes if power fails. Wired for 120-277V.</p> <p>Battery Backup Light Loss Factor: 0.109</p> <p>Construction</p> <p>Ambient Temperature: Suitable for use 12 hours a day, 6 days a week in 55°C (131°F). Suitable for 24/7 use in up to 45°C (113°F).</p> <p>Housing: Extruded aluminum</p>	<p>Lens: High-transmittance polystyrene</p> <p>Reflector: Specular, high-reflectance aluminum with 95% reflectivity</p> <p>Mounting: Two pendant boxes: 3/4" clearance hole for pendant mount (pendant by others) or direct surface knockout on junction box for mounting to ceiling. Mounting hardware (not provided) should be suitable to mounting surface.</p> <p>Other</p> <p>Replacement: Replaces 400-1000W MH</p> <p>Warranty: RAB warrants that our LED products will be free from defects in materials and workmanship for a period of five (5) years from the date of delivery to the end user, including coverage of light output, color stability, driver performance and fixture finish. RAB's warranty is subject to all terms and conditions found at rablighting.com/warranty.</p>

Technical Specifications (continued)

Buy American Act Compliance:

RAB values USA manufacturing! Upon request, RAB may be able to manufacture this product to be compliant with the Buy American Act (BAA). Please contact customer service to request a quote for the product to be made BAA compliant.

Dimensions



Features

- Ideal for large spaces
- 100,000-hour lifespan - virtually maintenance free operation
- 0-10V driver for variable dimming down to 10%
- Low-glare design with semi-diffuse lens

Ordering Matrix

Family	Wattage	Color Temp	Finish	Driver Options	Control Options	Other Options
RAILP	400		W	/D10	/E2	
	150 = 150W 400 = 400W 225 = 225W 185 = 185W 95 = 95W	YN = 3500K Warm Neutral N = 4000K Neutral Blank = 5000K Cool	W = White	/480/D10 = 480V, 0-10V Dim /D10 = 120-277V, 0-10V Dim	/LC = Lightcloud Controller /E2 = Battery Pack /LCS = Lightcloud Sensor /LOS = LOSBAY 800 Sensor /WS4 = Multi-Level Motion Sensor 40 ft ¹ /WS2 = Multi-Level Motion Sensor 20 ft ¹ /BL = Bi-Level Control Blank = No Option	USA = BAA Compliant Blank = Standard

¹ WS2 with 20' lens only available for 95 and 150W models; WS4 with 40' lens only available for 185 and 225W models. Both sensors only available with /D10 dimming drivers, but not with 480V driver.

² Not available in RAIL 400W