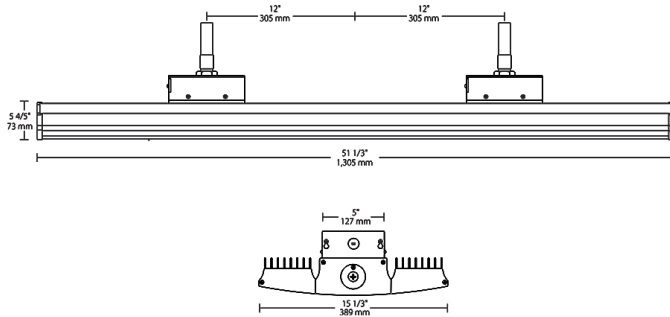


Dimensions



Features

- Ideal for large spaces
- 100,000-hour lifespan - virtually maintenance free operation
- 0-10V driver for variable dimming down to 10%
- Low-glare design with semi-diffuse lens

Ordering Matrix

Family	Wattage	Color Temp	Finish	Driver Options	Control Options	Other Options
RAILP	400	N	W	/480/D10		
	150 = 150W 400 = 400W 225 = 225W 185 = 185W 95 = 95W	YN = 3500K Warm Neutral N = 4000K Neutral Blank = 5000K Cool	W = White	/480/D10 = 480V, 0-10V Dim /D10 = 120-277V, 0-10V Dim	/LC = Lightcloud Controller /E2 = Battery Pack /LCS = Lightcloud Sensor /LOS = LOSBAY 800 Sensor /WS4 = Multi-Level Motion Sensor 40 ft ¹ /WS2 = Multi-Level Motion Sensor 20 ft ¹ /BL = Bi-Level Control Blank = No Option	USA = BAA Compliant Blank = Standard

¹ WS2 with 20' lens only available for 95 and 150W models; WS4 with 40' lens only available for 185 and 225W models. Both sensors only available with /D10 dimming drivers, but not with 480V driver.

² Not available in RAIL 400W