

INSTRUCTIONS

HIGH BAY RAIL® PENDANT 95/150/185/225W INSTALLATION



RAB Lighting is committed to creating high-quality, affordable, well-designed and energy-efficient LED lighting and controls that make it easy for electricians to install and end users to save energy. We'd love to hear your comments. Please call the Marketing Department at 888-RAB-1000 or email: marketing@rablighting.com



RAIL 95W



RAIL150W



RAIL185W



RAIL 225W

IMPORTANT

READ CAREFULLY BEFORE INSTALLING FIXTURE. RETAIN THESE INSTRUCTIONS FOR FUTURE REFERENCE.

RAB fixtures must be wired in accordance with the National Electrical Code and all applicable local codes. Proper grounding is required for safety. THIS PRODUCT MUST BE INSTALLED IN ACCORDANCE WITH THE APPLICABLE INSTALLATION CODE BY A PERSON FAMILIAR WITH THE CONSTRUCTION AND OPERATION OF THE PRODUCT AND THE HAZARDS INVOLVED.

WARNING: Make certain power is OFF before installing or maintaining fixture. No user serviceable parts inside.

PENDANT MOUNT

Mount **Housing** to sturdy ceiling structure as follows:

FOR PENDANT MOUNTING

1. Choose length of 3/4" NPS **Pendant Stem** (*supplied by others*).
2. Loosen **Screws (2)** and remove **Side Panel** as shown in **Fig. 1**.
3. Loosen **Screws (4)** and slide **Pendant Box** from **Pendant Box Plate/Housing** as shown in **Fig. 2A**.
4. Secure **Pendant Stem** to the clearance hole on **Pendant Box** using **Locknut** and **Support Nut** (*supplied by others*) as shown in **Fig. 2B**. Add thread locking compound and tighten **Locknut/Nut** to prevent fixture rotation.
5. Slide **Pendant Box** onto **Pendant Box Plate/Housing** and tighten **Screws (4)**.
6. Feed supply wires through **Pendant Stem**. Wire the housing leads to supply wires using UL listed wire connectors according to NEC and local codes in the **Pendant Box**. Push all wires back into **Pendant Box**. Be careful not to pinch wires.
7. Replace **Side Panel** and tighten screws (2) as shown in **Fig. 1**.
8. If ordered with **LOSBUY800** sensor (*suffix /LOS*) or similar sensor or LightCloud® controller, re-attach pre-wired sensor on **Side Cap** to **Housing**. Tighten **Side Cap Screw** as shown in **Fig. 3**.

Fig: 1

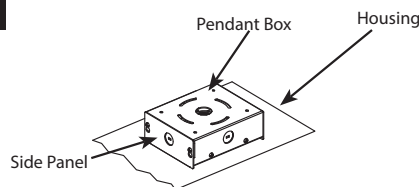


Fig: 2A

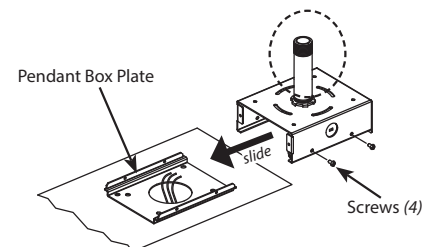


Fig: 2B

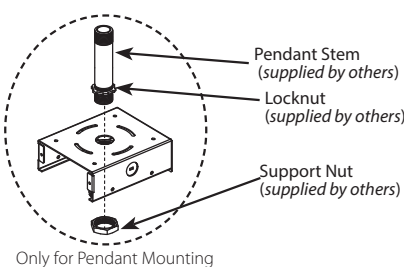
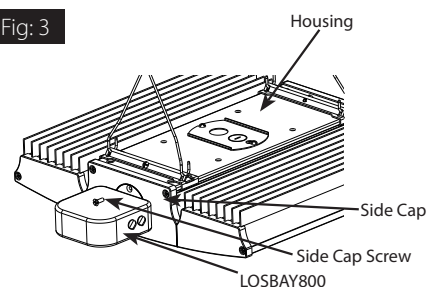


Fig: 3



INSTRUCTIONS

HIGH BAY RAIL® PENDANT 95/150/185/225W INSTALLATION



RAB Lighting is committed to creating high-quality, affordable, well-designed and energy-efficient LED lighting and controls that make it easy for electricians to install and end users to save energy. We'd love to hear your comments. Please call the Marketing Department at 888-RAB-1000 or email: marketing@rablighting.com

PENDANT MOUNT(*con't*)

FOR SURFACE MOUNTING

1. Follow steps 2 and 3 in [For Pendant Mounting](#) section.
2. Mount **Pendant Box** to ceiling by drilling out **Drill Out Locations** as shown on **Fig. 4**. Use appropriate mounting hardware suitable for the mounting surface.
3. Slide **Pendant Box** onto **Pendant Box Plate/ Housing** and tighten **Screws (4)**.
4. Wire the housing leads to supply wires using UL listed wire connectors according to NEC and local codes in the **Pendant Box**. Push all wires back into **Pendant Box**. Be careful not to pinch wires.
5. Replace **Side Panel** and tighten screws (2) as shown in **Fig. 1**.
6. Follow Step 8 in [For Pendant Mounting](#) section, if ordering with sensor/controller option.

0-10V DIMMABLE WIRING

Universal voltage driver permits operation at 120V thru 277V, 50 or 60 Hz. Units ordered with (V480/D10) suffix are 480V, 50Hz or 60Hz. For 0-10V Dimming, follow the wiring directions as in **Fig. 5**.

1. Connect the black fixture lead to the **LINE** supply lead.
2. Connect the white fixture lead to the **COMMON** supply lead.
3. Connect the **GROUND** wire from fixture to supply ground.
4. Connect the purple fixture lead to the (V+) **DIM** lead.
5. Connect the pink (or gray) fixture lead to the (V-) **DIM** lead.
6. Cap the yellow fixture lead, if present. Do **NOT** connect.

NOTE: Do not connect DIM V+ (purple)/DIM V- (pink/gray) to line voltage or supply ground.

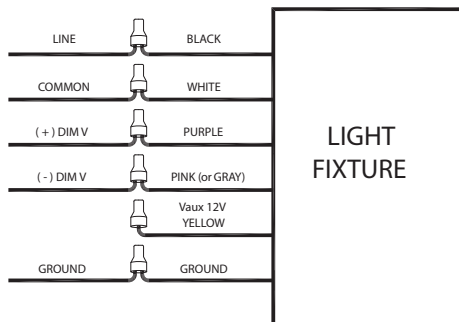


Fig: 5

Ceiling Mount Drill out Locations
(Not to scale)

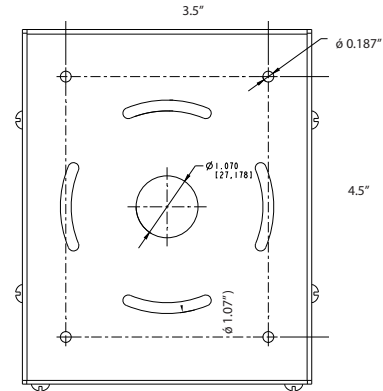


Fig: 4

CLEANING & MAINTENANCE

CAUTION: Be sure fixture temperature is cool enough to touch. Do not clean or maintain while fixture is energized.

1. Lens should be washed in a solution of warm water and any mild, non-abrasive household detergent, rinsed with clean water and wiped dry. Do not use chemicals to clean fixture.
2. Do not open fixture to clean the LED. Do not touch the LED.

TROUBLESHOOTING

1. Check that the line voltage at fixture is correct. Refer to wiring directions.
2. Be sure the fixture is grounded properly.

Note: These instructions do not cover all details or variations in equipment nor do they provide for every possible situation during installation, operation or maintenance.

INSTRUCTIONS

HIGH BAY RAIL® PENDANT 95/150/185/225W INSTALLATION



RAB Lighting is committed to creating high-quality, affordable, well-designed and energy-efficient LED lighting and controls that make it easy for electricians to install and end users to save energy. We'd love to hear your comments. Please call the Marketing Department at 888-RAB-1000 or email: marketing@rablighting.com

BATTERY BACKUP MODELS

WIRING

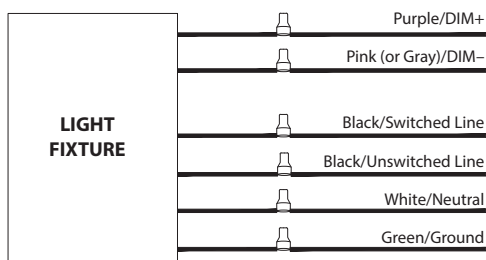
CAUTION: FOR BATTERY BACKUP FIXTURE. Voltage can be present in **BATTERY**. To prevent high voltage from being present on output leads, Inverter connector must be open. Do not join **BATTERY** connector until Installation is complete and AC power is supplied to the emergency driver (*Fig.6*).

NOTE: Make sure that the necessary branch circuit wiring is available. An **UNSWITCHED** AC source of power is required. The emergency driver must be fed from the same branch circuit as the LED driver.

CAUTION: Do not use any supply voltage other than 120-277V 50/60 HZ.

1. Connect **UNSWITCHED HOT** fixture lead to **HOT AC** supply line.
2. If using an **UNSWITCHED** circuit, connect **UNSWITCHED** and **SWITCHED** lines together.
3. If using a **SWITCHED** circuit, connect **SWITCHED HOT** AC fixture lead to the external.
4. Connect the pink (*or gray*) fixture lead to the (V-) DIM lead.
5. For 0-10V Dimming, connect **DIM (+)** and **DIM (-)** to the supply ground. Do not connect **GROUND** to the output leads.
6. All unused leads must be capped and insulated.
7. After installation is complete, supply AC power to the fixture and connect the **BATTERY**.
8. When power is on, the fixture should be on and the **CHARGING INDICATOR LIGHT** should illuminate to indicate the battery is charging.
9. Once the **BATTERY** has charged for at least one hour, a short duration test may be performed by pressing the test button.
10. After the battery has charged for 24 hours, a long duration test can be performed by shutting power to the fixture.

FIG. 6



OPERATION

1. When AC power is applied, the charging indicator light is illuminated, indicating that the **BATTERY** is being charged.
2. When power fails, the standby power automatically switches to emergency power (*internal battery*), operating at reduced illumination. The emergency driver supplies 25W of power in standby power for a minimum of 90 minutes.
3. When AC power is restored, the emergency driver automatically returns to charging mode.

MAINTENANCE

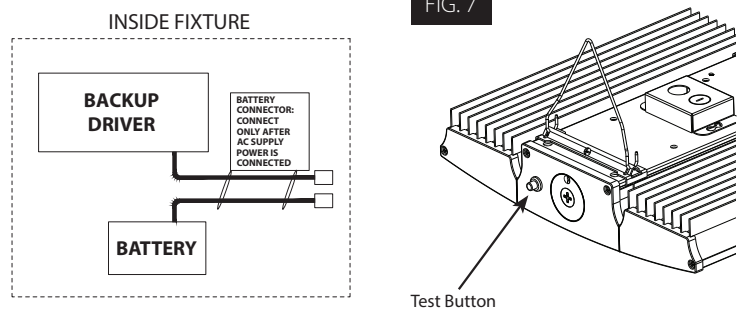
Although no routine maintenance is required to keep the emergency driver functional, it should be checked periodically to ensure that it is working. The following schedule is recommended:

1. Visually inspect the charging indicator light monthly. It should be illuminated
2. Test the emergency operation of the fixture at 30-day intervals for a minimum of 30 seconds.
3. Conduct a 90-minute discharge test once a year. Fixture would operate at reduced illumination for a minimum of 90 minutes.

TROUBLESHOOTING

1. Is the fixture grounded properly?
2. If the charging indicator light does not illuminate after pressing the test button (*Fig. 7*), check if battery is connected properly.

FIG. 7



© 2021 RAB LIGHTING Inc.

RAILP 95W-225W-IN 1021
73503-RAB

Easy Answers

rablighting.com
Visit our website for product info

Tech Help Line
Call our experts: 888 722-1000

e-mail
Answered promptly - sales@rablighting.com

Free Lighting Layouts
Answered online or by request

RAB WARRANTY: RAB's warranty is subject to all terms and conditions found at rablighting.com/warranty