



High efficiency. High output. High Bay RAIL.

Color: White

Weight: 10.3 lbs

| | |
|---------------------|--------------|
| Project: | Type: |
| Prepared By: | Date: |

| Driver Info | | LED Info | |
|-------------|------------------|----------------|---------------|
| Type | Constant Current | Watts | 95W |
| 120V | 0.77A | Color Temp | 5000K (Cool) |
| 208V | 0.48A | Color Accuracy | 84 CRI |
| 240V | 0.42A | L70 Lifespan | 100,000 Hours |
| 277V | 0.35A | Lumens | 12,252 lm |
| Input Watts | 91.3W | Efficacy | 134.2 lm/W |

Technical Specifications

Compliance

UL Listed:

Suitable for damp locations

IESNA LM-79 & lm-80 Testing:

RAB LED luminaires and LED components have been tested by an independent laboratory in accordance with IESNA lm-79 and lm-80

Performance

Lifespan:

100,000-Hour LED lifespan based on IES LM-80 results and TM-21 calculations

LED Characteristics

LEDs:

Long-life, high-efficacy, surface-mount LEDs

Color Stability:

LED Color temperature is warrantied to shift no more than 200K in color temperature over a 5-year period

Color Uniformity:

RAB's range of Correlated Color Temperature follows the guidelines of the American National Standard for Specifications for the Chromaticity of Solid State Lighting (SSL) Products, ANSI C78.377-2017.

Construction

Maximum Ambient Temperature:

Suitable for use 12 hours a day, 6 days a week in 60°C (140°F). Suitable for 24/7 use in up to 50°C (122°F).

Housing:

Extruded aluminum

Lens:

High-transmittance polystyrene

Reflector:

Specular, high-reflectance aluminum with 95% reflectivity

Mounting:

3/4" NPS for pendant mount (pendant by others) or direct surface knockout on junction box for mounting to ceiling. Mounting hardware (not provided) should be suitable to mounting surface.

Other

Replacement:

Replaces 100-250W MH

Warranty:

RAB warrants that our LED products will be free from defects in materials and workmanship for a period of five (5) years from the date of delivery to the end user, including coverage of light output, color stability, driver performance and fixture finish. RAB's warranty is subject to all terms and conditions found at rablighting.com/warranty.

Bi-Level:

Allows 25%, 50% or 75% output modes

Buy American Act Compliance:

RAB values USA manufacturing! Upon request, RAB may be able to manufacture this product to be compliant with the Buy American Act (BAA). Please contact customer service to request a quote for the product to be made BAA compliant.

Electrical

Driver:

One Driver, Class 2, Constant Current, 100-277VAC, 50-60Hz, 4kV, 1.1A,

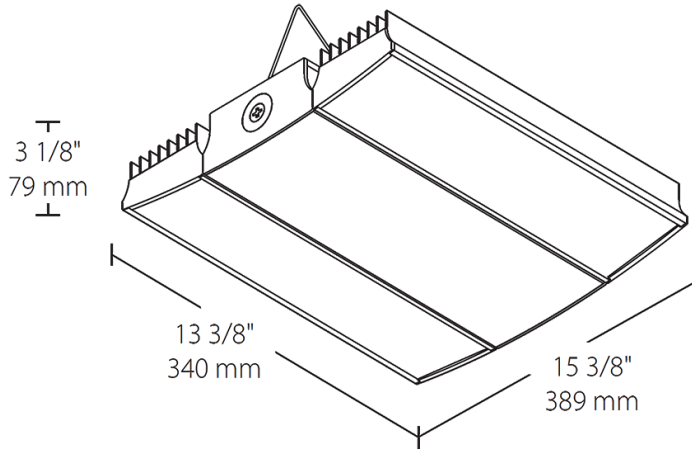
THD:

4.25% at 120V, 8.58% at 277V

Power Factor:

99.9% at 120V, 96.5% at 277V

Dimensions



Features

- Ideal for large spaces
- 100,000-hour lifespan - virtually maintenance free operation
- 0-10V driver for variable dimming down to 10%
- Low-glare design with semi-diffuse lens

Ordering Matrix

| Family | Wattage | Color Temp | Finish | Driver Options | Control Options | Other Options |
|--------|--|--|-----------|--|--|---|
| RAIL | 95 | | W | /D10 | /BL | |
| | 95 = 95W 150 = 150W 185 = 185W 225 = 225W 400 = 400W | Blank = 5000K Cool N = 4000K Neutral YN = 3500K Warm Neutral | W = White | /D10 = 120-277V, 0-10V Dim /480/D10 = 480V, 0-10V Dim | Blank = No Option /BL = Bi-Level Control /WS2 = Multi-Level Motion Sensor 20 ft ¹ /WS4 = Multi-Level Motion Sensor 40 ft ¹ /LOS = LOSBAY 800 Sensor /LC = Lightcloud® Controller /LCS = Lightcloud® Sensor /E2 = Battery Pack /LC/E2 = Lightcloud® Controller w/ Battery Pack ² | Blank = Standard USA = BAA Compliant |

¹ WS2 with 20' lens only available for 95 and 150W models; WS4 with 40' lens only available for 185 and 225W models. Both sensors only available with /D10 dimming drivers, but not with 480V driver.

² Not available in RAIL 400W