



LED High Bay fixture ideal for large indoor spaces, including warehouses, gymnasiums and distribution centers with high ceiling that require mounting heights of 50-60 feet. Replaces up to 1000W MH fixtures.

Color: White

Weight: 42.4 lbs

Project:	Type:
Prepared By:	Date:

Driver Info		LED Info	
Type	Constant Current	Watts	400W
120V	3.34A	Color Temp	3500K (Warm Neutral)
208V	2.01A	Color Accuracy	84 CRI
240V	1.74A	L70 Lifespan	100,000 Hours
277V	1.47A	Lumens	51,824 lm
Input Watts	394.2W	Efficacy	131.5 lm/W

Technical Specifications

Compliance

UL Listed:

Suitable for damp locations

IESNA LM-79 & LM-80 Testing:

RAB LED luminaires and LED components have been tested by an independent laboratory in accordance with IESNA LM-79 and LM-80.

Performance

Lifespan:

100,000-Hour LED lifespan based on IES LM-80 results and TM-21 calculations

LED Characteristics

LEDs:

Long-life, high-efficacy, surface-mount LEDs

Color Stability:

LED Color temperature is warrantied to shift no more than 200K in color temperature over a 5-year period

Color Uniformity:

RAB's range of Correlated Color Temperature follows the guidelines of the American National Standard for Specifications for the Chromaticity of Solid State Lighting (SSL) Products, ANSI C78.377-2017.

Electrical

Driver:

Constant Current, Class 2, 120-277V, 50/60Hz, 120V: 3.34A, 208V: 2.01A, 240V: 1.74A, 277V 1.47A

THD:

4.24% at 120V, 5.95% at 277V

Power Factor:

99.9% at 120V, 94.8% at 277V

Surge Protection:

4kV

Construction

Ambient Temperature:

Suitable for use 12 hours a day, 6 days a week in 55°C (131°F). Suitable for 24/7 use in up to 45°C (113°F).

Housing:

Extruded aluminum

Lens:

High-transmittance polystyrene

Reflector:

Specular, high-reflectance aluminum with 95% reflectivity

Mounting:

V hooks (chain by others)

Other

Bi-Level:

Allows 25%, 50% or 75% output modes

Replacement:

Replaces 400-1000W MH

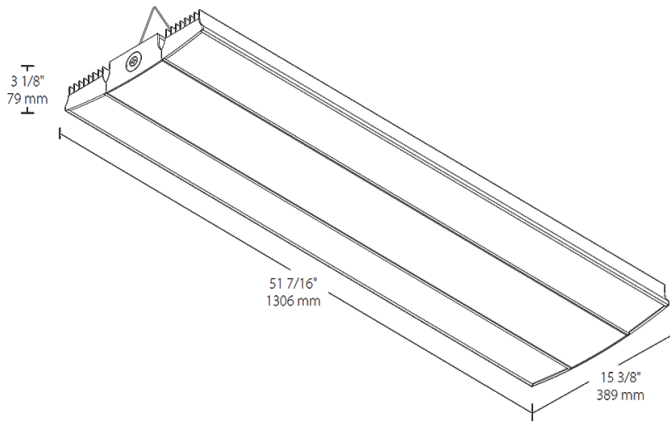
Warranty:

RAB warrants that our LED products will be free from defects in materials and workmanship for a period of five (5) years from the date of delivery to the end user, including coverage of light output, color stability, driver performance and fixture finish. RAB's warranty is subject to all terms and conditions found at rablighting.com/warranty.

Buy American Act Compliance:

RAB values USA manufacturing! Upon request, RAB may be able to manufacture this product to be compliant with the Buy American Act (BAA). Please contact customer service to request a quote for the product to be made BAA compliant.

Dimensions



Features

- Ideal for large spaces
- 100,000-hour lifespan - virtually maintenance free operation
- 0-10V driver for variable dimming down to 10%
- Low-glare design with semi-diffuse lens

Ordering Matrix

Family	Wattage	Color Temp	Finish	Driver Options	Control Options	Other Options
RAIL	400	YN	W	/D10	/BL	
	150 = 150W 185 = 185W 225 = 225W 400 = 400W 95 = 95W	Blank = 5000K Cool N = 4000K Neutral YN = 3500K Warm Neutral	W = White	/480/D10 = 480V, 0-10V Dim /D10 = 120-277V, 0-10V Dim	Blank = No Option /BL = Bi-Level Control /WS2 = Multi-Level Motion Sensor 20 ft ¹ /WS4 = Multi-Level Motion Sensor 40 ft ¹ /LOS = LOSBAY 800 Sensor /LC = Lightcloud Controller /LCS = Lightcloud Sensor /E2 = Battery Pack	Blank = Standard

¹ WS2 with 20' lens only available for 95 and 150W models; WS4 with 40' lens only available for 185 and 225W models. Both sensors only available with /D10 dimming drivers, but not with 480V driver.

² Not available in RAIL 400W