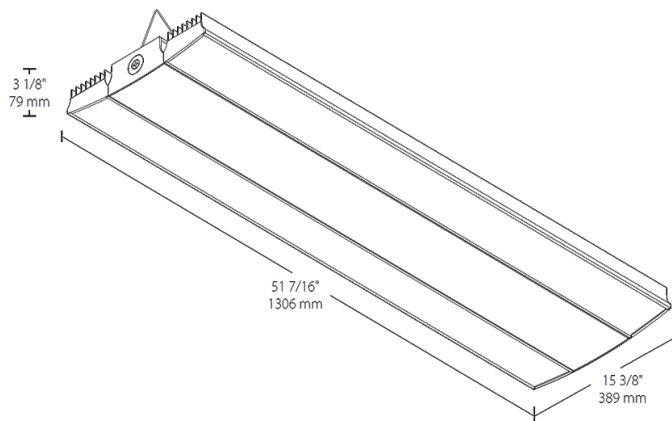


Technical Specifications (continued)

Buy American Act Compliance:

RAB values USA manufacturing! Upon request, RAB may be able to manufacture this product to be compliant with the Buy American Act (BAA). Please contact customer service to request a quote for the product to be made BAA compliant.

Dimensions



Features

- Ideal for large spaces
- 100,000-hour lifespan - virtually maintenance free operation
- 0-10V driver for variable dimming down to 10%
- Low-glare design with semi-diffuse lens

Ordering Matrix

Family	Wattage	Color Temp	Finish	Driver Options	Control Options	Other Options
RAIL	400	N	W	/D10	/LCS	
	150 = 150W 185 = 185W 225 = 225W 400 = 400W 95 = 95W	Blank = 5000K Cool N = 4000K Neutral YN = 3500K Warm Neutral	W = White	/480/D10 = 480V, 0-10V Dim /D10 = 120-277V, 0-10V Dim	Blank = No Option /BL = Bi-Level Control /WS2 = Multi-Level Motion Sensor 20 ft ¹ /WS4 = Multi-Level Motion Sensor 40 ft ¹ /LOS = LOSBAY 800 Sensor /LC = Lightcloud Controller /LCS = Lightcloud Sensor /E2 = Battery Pack	Blank = Standard

¹ WS2 with 20' lens only available for 95 and 150W models; WS4 with 40' lens only available for 185 and 225W models. Both sensors only available with /D10 dimming drivers, but not with 480V driver.

² Not available in RAIL 400W