



Contractor-grade retrofit downlights offered with up to 5 field selectable color temperatures in 1 model. Options available with a smooth or baffle trim.

Color: White

Weight: 0.6 lbs

Project:

Type:

Prepared By:

Date:

Driver Info

Type	Constant Current
120V	0.08A
208V	N/A
240V	N/A
277V	N/A
Input Watts	10W

LED Info

Watts	10W
Color Temp	2700K/3000K/3500K/4000K/5000K
Color Accuracy	90 CRI
L70 Lifespan	50,000 Hours
Lumens	900 lm
Efficacy	90 lm/W

Technical Specifications

Performance

Product Type:

Recessed Retrofit

Description:

Contractor-grade adjustable gimbal retrofit downlights offered with up to 5 field selectable color temperatures in 1 model.

Wattage Equivalency:

75W Incandescent

Input Wattage:

10W

Lumens (Nominal):

2700K @ 921lm; 3000K @ 938lm; 3500K @ 956lm; 4000K @ 967lm; 5000K @ 979lm

Efficacy:

2700K @ 98lm/W; 3000K @ 101lm/W; 3500K @ 106lm/W; 4000K @ 107lm/W; 5000K @ 106lm/W

L70 Lifespan:

50,000-Hour LED lifespan based on IES LM-70 results

Electrical

Driver:

Constant Current, 60 Hz, 120V, 120V: 0.08 A

THD:

≤20%

Power Factor:

≥0.9

Dimmable:

Yes, dims down to 10% on compatible TRIAC/ELV system.

See Dimmer Compatibility List.

Input Voltage:

120V

Operating Frequency:

60 Hz

Input Current @ 120V (mA):

80mA

Operating Temperature:

-22°F to 104°F (-30°C to 40°C)

LED Characteristics

Color Temperature:

Field Adjustable via dip switch
2700/3000/3500/4000/5000K

Color Accuracy (CRI):

>90 CRI

R9 Value:

High color performance with R9 greater than or equal to 50

Color Consistency:

<4-step MacAdam Ellipse binning to achieve consistent fixture-to-fixture color

Color Stability:

LED color temperature is warranted to shift no more than 200K in color temperature over a 5-year period

Color Uniformity:

RAB's range of Correlated Color Temperature follows the guidelines of the American National Standard for Specifications for the Chromaticity of Solid State Lighting (SSL) Products, ANSI C78.377-2017.

Installation

Mounting:

Recessed

Construction

Size:

6"

Shape:

Round

Technical Specifications (continued)**Finish:**

White

Enclosure Material:

Metal

Trim Style:

Smooth

Lens:

Polycarbonate light diffuser distributes light evenly and smoothly for general lighting applications

Cut Out Template Size:

6 5/16"

Compliance**Listings:**

UL Recognized, UL Classified

Environment:

Suitable for use in dry and damp environments

IC Rated:

No

Air Tight:

No

Energy Star Approved:

This product is ENERGY STAR® Version 2.2 Certified

Energy Star ID:

2369207

Model Number for Certification:

DLG0011(RA6R109FA120WS)

T20 Compliant:

Can be used to conform with the requirements of California Title 20

California Title 24 JA8 Compliant:

Can be used to conform with the requirements of California Title 24 Part 6

California Energy Commission (CEC) Status:

Lawful for Sales in California

NEC Compliant:

Suitable for use in closets. Compliant with NEC Sec. 410.16 (A)(1) and 410.16 (C3).

IESNA LM-79 & lm-80 Testing:

RAB LED luminaires and LED components have been tested by an independent laboratory in accordance with IESNA lm-79 and lm-80

RoHS:

Mercury and UV free. RoHS-compliant components.

FCC:

Complies with Part 15B of the FCC Rules

Other**Accessories:**[RFLED-RETROBAND](#)

Retrofit Band

[DRI-25-EMGR-DC](#)

Emergency Backup Driver

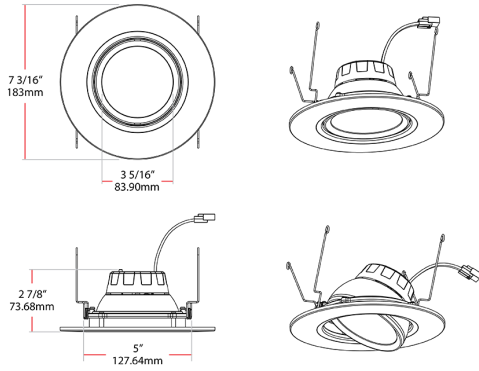
Warranty:RAB warrants that our LED products will be free from defects in materials and workmanship for a period of five (5) years from the date of delivery to the end user, including coverage of light output, color stability, driver performance and fixture finish. RAB's warranty is subject to all terms and conditions found at rablighting.com/warranty.**Note:**

All values are typical (tolerance +/- 10%)

Buy American Act Compliance:

RAB values USA manufacturing! Upon request, RAB may be able to manufacture this product to be compliant with the Buy American Act (BAA). Please contact customer service to request a quote for the product to be made BAA compliant.

Dimensions



Features

- Use to replace traditional halogen and incandescent light sources
- Durable metal construction: dent and scratch resistant
- 5 Color temperature selectable 2700K, 3000K, 3500K, 4000K, & 5000K
- Compatible with most standard recessed housings
- Color trims sold separately

Ordering Matrix

Family	Size	Shape	Wattage	CRI/Color Temp	Voltage	Finish	Trim
RA	6	R	10	9FA	120	W	S
	4 = 4" 6 = 6"	R = Round	8 = 8W 10 = 10W 11 = 11W	9FA = 90 CRI, 2700K/3000K/3500K/4000K/5000K	120 = 120V	W = White	S = Smooth