



|                     |              |
|---------------------|--------------|
| <b>Project:</b>     | <b>Type:</b> |
| <b>Prepared By:</b> | <b>Date:</b> |

| Driver Info |                  | LED Info       |                               |
|-------------|------------------|----------------|-------------------------------|
| Type        | Constant Current | Watts          | 8W                            |
| 120V        | 0.07A            | Color Temp     | 2700K/3000K/3500K/4000K/5000K |
| 208V        | N/A              | Color Accuracy | 90 CRI                        |
| 240V        | N/A              | L70 Lifespan   | 50,000 Hours                  |
| 277V        | N/A              | Lumens         | 700 lm                        |
| Input Watts | 8W               | Efficacy       | 87.5 lm/W                     |

**Technical Specifications**

**Performance**

**Product Type:**

Recessed Retrofit

**Description:**

Contractor-grade adjustable gimbal retrofit downlights offered with up to 5 field selectable color temperatures in 1 model.

**Wattage Equivalency:**

65W Incandescent

**Input Wattage:**

8W

**Lumens (Nominal):**

2700K @ 719lm; 3000K @ 731lm; 3500K @ 746lm; 4000K @ 752lm; 5000K @ 768lm

**Efficacy:**

2700K @ 97lm/W; 3000K @ 99lm/W; 3500K @ 103lm/W; 4000K @ 104lm/W; 5000K @ 103lm/W

**L70 Lifespan:**

50,000-Hour LED lifespan based on IES LM-70 results

**Electrical**

**Driver:**

Constant Current, 60 Hz, 120V, 120V: 0.07 A

**THD:**

≤20%

**Power Factor:**

≥0.9

**Dimmable:**

Yes, dims down to 10% on compatible TRIAC/ELV system. See Dimmer Compatibility List.

**Input Voltage:**

120V

**Operating Frequency:**

60 Hz

**Input Current @ 120V (mA):**

65mA

**Operating Temperature:**

-22°F to 104°F (-30°C to 40°C)

**LED Characteristics**

**Color Temperature:**

Field Adjustable via dip switch 2700/3000/3500/4000/5000K

**Color Accuracy (CRI):**

>90 CRI

**R9 Value:**

High color performance with R9 greater than or equal to 50

**Color Consistency:**

<4-step MacAdam Ellipse binning to achieve consistent fixture-to-fixture color

**Color Stability:**

LED color temperature is warranted to shift no more than 200K in color temperature over a 5-year period

**Color Uniformity:**

RAB's range of Correlated Color Temperature follows the guidelines of the American National Standard for Specifications for the Chromaticity of Solid State Lighting (SSL) Products, ANSI C78.377-2017.

**Installation**

**Mounting:**

Recessed

**Construction**

**Size:**

4"

**Shape:**

Round

**Technical Specifications (continued)****Finish:**

White

**Enclosure Material:**

Metal

**Trim Style:**

Smooth

**Lens:**

Polycarbonate light diffuser distributes light evenly and smoothly for general lighting applications

**Cut Out Template Size:**

4 5/16"

**Compliance****Listings:**

UL Recognized, UL Classified

**IC Rated:**

No

**Air Tight:**

No

**Energy Star Approved:**

This product is ENERGY STAR® Version 2.2 Certified

**Energy Star ID:**

2369206

**Model Number for Certification:**

DLG0010(RA4R89FA120WS)

**T20 Compliant:**

Can be used to conform with the requirements of California Title 20

**California Title 24 JA8 Compliant:**

Can be used to conform with the requirements of California Title 24 Part 6

**California Energy Commission (CEC) Status:**

Lawful for Sales in California

**NEC Compliant:**

Suitable for use in closets. Compliant with NEC Sec. 410.16 (A)(1) and 410.16 (C3).

**IESNA LM-79 & lm-80 Testing:**

RAB LED luminaires and LED components have been tested by an independent laboratory in accordance with IESNA lm-79 and lm-80

**RoHS:**

Mercury and UV free. RoHS-compliant components.

**FCC:**

Complies with Part 15B of the FCC Rules

**Other****Accessories:**[DRI-25-EMGR-DC](#)

Emergency Backup Driver

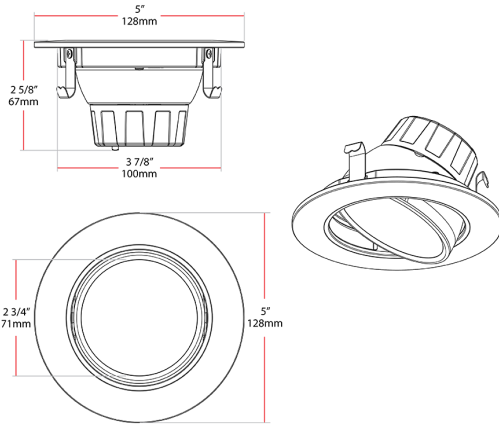
**Warranty:**RAB warrants that our LED products will be free from defects in materials and workmanship for a period of five (5) years from the date of delivery to the end user, including coverage of light output, color stability, driver performance and fixture finish. RAB's warranty is subject to all terms and conditions found at [rablighting.com/warranty](http://rablighting.com/warranty).**Note:**

All values are typical (tolerance +/- 10%)

**Buy American Act Compliance:**

RAB values USA manufacturing! Upon request, RAB may be able to manufacture this product to be compliant with the Buy American Act (BAA). Please contact customer service to request a quote for the product to be made BAA compliant.

**Dimensions**



**Features**

- Use to replace traditional halogen and incandescent light sources
- Durable metal construction: dent and scratch resistant
- 5 Color temperature selectable 2700K, 3000K, 3500K, 4000K, & 5000K
- Compatible with most standard recessed housings
- Color trims sold separately

**Ordering Matrix**

| Family | Size             | Shape     | Wattage                        | CRI/Color Temp                              | Voltage    | Finish    | Trim       |
|--------|------------------|-----------|--------------------------------|---|------------|-----------|------------|
| RA     | 4                | R         | 8                              | 9FA   | 120        | W         | S          |
|        | 4 = 4"<br>6 = 6" | R = Round | 8 = 8W<br>10 = 10W<br>11 = 11W | 9FA = 90 CRI, 2700K/3000K/3500K/4000K/5000K | 120 = 120V | W = White | S = Smooth |