



<b>Project:</b>	<b>Type:</b>
<b>Prepared By:</b>	<b>Date:</b>

Driver Info		LED Info	
Type	Constant Current	Watts	10W
120V	90	Color Temp	5000K
208V	N/A	Color Accuracy	90 CRI
240V	N/A	L70 Lifespan	50,000 Hours
277V	N/A	Lumens	924 lm
Input Watts	10W	Efficacy	90

## Technical Specifications

### Performance

#### Product Type:

Retrofit

#### Lumens (Nominal):

900lm

#### Efficacy:

90lm/W

#### Lifespan:

50,000-Hour LED lifespan based on IES LM-80 results and TM-21 calculations

#### Wattage Equivalency:

Equivalent to 75W Incandescent

### LED Characteristics

#### LEDs:

LED array provides a uniform source with high efficiency and no pixilation

#### Color Accuracy (CRI):

90 CRI

#### Color Temperature:

5000K

### Electrical

#### THD:

≤20%

#### Power Factor:

≥0.9

#### Dimmable:

TRIAC and ELV (at 120V only).

#### Input Voltage:

120V

#### Operating Frequency:

60Hz

#### Operating Temperature:

-30°C - 40°C

### Other

#### Warranty:

RAB warrants that our LED products will be free from defects in materials and workmanship for a period of five (5) years from the date of delivery to the end user, including coverage of light output, color stability, driver performance and fixture finish. RAB's warranty is subject to all terms and conditions found at [rablighting.com/warranty](http://rablighting.com/warranty).

#### Buy American Act Compliance:

RAB values USA manufacturing! Upon request, RAB may be able to manufacture this product to be compliant with the Buy American Act (BAA). Please contact customer service to request a quote for the product to be made BAA compliant.

### Construction

#### Size:

6"

#### Shape:

Square

#### Housing Material:

Plastic

#### Finish:

White

#### Trim Style:

Baffle

#### Gaskets:

Achieve restrictive airflow requirements without additional caulking

#### Base Type:

E26 Edison

#### Mounting:

Torsion springs are pre-installed and adjust to fit 5" or 6" compatible housing

### Compliance

#### Listings:

UL Classified

## Technical Specifications (continued)

**Environment:**

Wet

**Fixture Rating:**

Enclosed

**Energy Star Approved:**

ENERGY STAR® Version 2.2 Certified

**Energy Star ID:**

2366469

**T20 Compliant:**

Yes

**Lawful for Sale in California:**

Yes

**RoHS:**

Mercury and UV free. RoHS-compliant components.

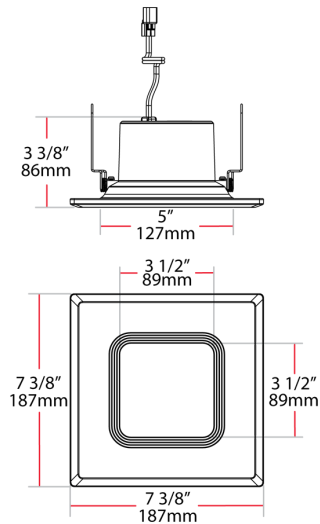
**FCC:**

Complies with Part 15B of the FCC Rules

**Model Number for Certification:**

DLR0113(R6S10950120WB)

## Dimensions



## Features

- High Performance LEDs up to 90 lm/w
- Use to replace up to 85W traditional light sources
- Robust plastic construction
- UL wet location rated
- Compatible with most standard recessed housings
- Dimmable down to 5% on compatible dimmers
- Available in Square 4" 650lm and 6" 950lm
- Available in 4 color temperatures: 2700K, 3000K, 3500K, 4000K & 5000K
- Available in a baffle trim option
- Color designer trims as optional accessories available
- 5-Year, No-Compromise Warranty

## Ordering Matrix

Family	Size	Shape	Wattage	CRI/Color Temp	Voltage	Finish	Trim
R	6	S	10	950	120	W	B
	4 = 4"	R = Round	7 = 7W	950 = 90 CRI, 5000K	120 = 120V	W = White	B = Baffle
	6 = 6"	S = Square	8 = 8W	940 = 90 CRI, 4000K			S = Smooth
			9 = 9W	935 = 90 CRI, 3500K			
			10 = 10W	930 = 90 CRI, 3000K			
			11 = 11W	927 = 90 CRI, 2700K			
			14 = 14W	840 = 80 CRI, 4000K			
				835 = 80 CRI, 3500K			
				830 = 80 CRI, 3000K			
				827 = 80 CRI, 2700K			