

Contractor-grade retrofit downlights offered with up to 5 field selectable color temperatures in 1 model. Options available with a smooth or baffle trim.

Color: White

Weight: 0.8 lbs

<b>Project:</b>	<b>Type:</b>
<b>Prepared By:</b>	<b>Date:</b>

Driver Info		LED Info	
Type	Constant Current	Watts	14W
120V	N/A	Color Temp	2700K/3000K/3500K/4000K/5000K
208V	N/A	Color Accuracy	90 CRI
240V	N/A	L70 Lifespan	50,000 Hours
277V	N/A	Lumens	1,200 lm
Input Watts	14W	Efficacy	85.7 lm/W

**Technical Specifications**

**Performance**

**Product Type:**

Recessed Retrofit

**Description:**

Contractor-grade retrofit downlights offered with up to 5 field selectable color temperatures in 1 model.

**Wattage Equivalency:**

100W Incandescent

**Input Wattage:**

14W

**Lumens (Nominal):**

2700K @ 1,235lm; 3000K @ 1,272lm; 3500K @ 1,315lm; 4000K @ 1,321lm; 5000K @ 1,283lm

**Efficacy:**

2700K @ 90lm/W; 3000K @ 94lm/W; 3500K @ 99lm/W; 4000K @ 99lm/W; 5000K @ 95lm/W

**L70 Lifespan:**

50,000-Hour LED lifespan based on IES LM-70 results

**Electrical**

**THD:**

≤20%

**Power Factor:**

≥0.9

**Dimmable:**

Yes, dims down to 10% on compatible TRIAC/ELV system.  
See Dimmer Compatibility List.

**Input Voltage:**

120V

**Operating Frequency:**

60 Hz

**Operating Temperature:**

-4°F to 104°F (-20°C to 40°C)

**LED Characteristics**

**Color Temperature:**

Field Adjustable via dip switch  
2700/3000/3500/4000/5000K

**Color Accuracy (CRI):**

>90 CRI

**R9 Value:**

High color performance with R9 greater than or equal to 50

**Color Consistency:**

<4-step MacAdam Ellipse binning to achieve consistent fixture-to-fixture color

**Color Stability:**

LED color temperature is warrantied to shift no more than 200K in color temperature over a 5-year period

**Color Uniformity:**

RAB's range of Correlated Color Temperature follows the guidelines of the American National Standard for Specifications for the Chromaticity of Solid State Lighting (SSL) Products, ANSI C78.377-2017.

**Installation**

**Mounting:**

Recessed

**Construction**

**Size:**

6"

**Shape:**

Round

**Finish:**

White

**Enclosure Material:**

Metal

**Technical Specifications (continued)****Trim Style:**

Baffle

**Lens:**

Polycarbonate light diffuser distributes light evenly and smoothly for general lighting applications

**Cut Out Template Size:**

6 5/16"

**Compliance****Listings:**

UL Listed, UL Recognized

**Environment:**

Suitable for use in dry, damp, and wet environments.

**IC Rated:**

No

**Air Tight:**

No

**Energy Star Approved:**

This product is ENERGY STAR® Version 2.2 Certified

**Model Number for Certification:**

DLR0125(R6R149FA120WB)

**T20 Compliant:**

Can be used to conform with the requirements of California Title 20

**California Title 24 JA8 Compliant:**

Can be used to conform with the requirements of California Title 24 Part 6

**California Energy Commission (CEC) Status:**

Lawful for Sales in California

**NEC Compliant:**

Suitable for use in closets. Compliant with NEC Sec. 410.16 (A)(1) and 410.16 (C3).

**IESNA LM-79 & lm-80 Testing:**

RAB LED luminaires and LED components have been tested by an independent laboratory in accordance with IESNA lm-79 and lm-80

**RoHS:**

Mercury and UV free. RoHS-compliant components.

**FCC:**

Complies with Part 15B of the FCC Rules

**Other****Accessories:**[RFLED-RETROBAND](#)

Retrofit Band

[RFLED-GOOF-6R-8R-W](#)

6"-8" Goof Ring

[DLTRIM/R6RB-BN](#)

6" Round Baffle Brushed Nickel Color Trim

[DLTRIM/R6RB-BRZ](#)

6" Round Baffle Bronze Color Trim

[DLTRIM/R6RB-B](#)

6" Round Baffle Black Color Trim

[DRI-25-EMGR-DC](#)

Emergency Backup Driver

**Warranty:**

RAB warrants that our LED products will be free from defects in materials and workmanship for a period of five (5) years from the date of delivery to the end user, including coverage of light output, color stability, driver performance and fixture finish. RAB's warranty is subject to all terms and conditions found at [rablighting.com/warranty](http://rablighting.com/warranty).

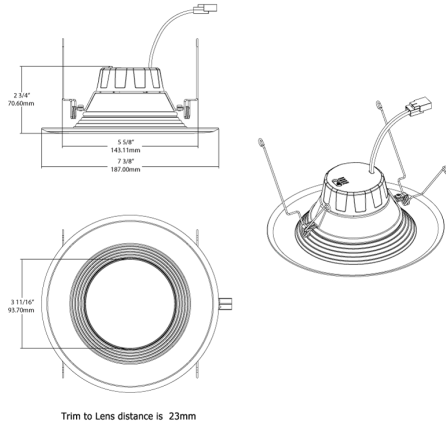
**Note:**

All values are typical (tolerance +/- 10%)

**Buy American Act Compliance:**

RAB values USA manufacturing! Upon request, RAB may be able to manufacture this product to be compliant with the Buy American Act (BAA). Please contact customer service to request a quote for the product to be made BAA compliant.

## Dimensions



## Features

- Use to replace traditional halogen and incandescent light sources
- Durable metal construction: dent and scratch resistant
- 5 Color temperature selectable 2700K, 3000K, 3500K, 4000K, & 5000K
- Compatible with most standard recessed housings
- Color trims sold separately

## Ordering Matrix

Family	Size	Shape	Wattage	CRI/Color Temp	Voltage	Finish	Trim
R	6	R	14	9FA	120	W	B
	4 = 4"	R = Round	8 = 8W	9FA = 90 CRI, CCT Adjustable	120 = 120V	W = White	B = Baffle
	6 = 6"		10 = 10W				S = Smooth
			11 = 11W				
			14 = 14W				