

INSTRUCTIONS

5"/6" Recessed Retrofit



RAB Lighting is committed to creating high-quality, affordable, well-designed and energy-efficient LED lighting and controls that make it easy for electricians to install and end users to save energy. We'd love to hear your comments. Please call the Marketing Department at 888-RAB-1000 or email: marketing@rablighting.com

R6R109XXUNVTWS
R6R149XXUNVTWS



IMPORTANT

READ CAREFULLY BEFORE INSTALLING FIXTURE. RETAIN THESE INSTRUCTIONS FOR FUTURE REFERENCE.

RAB fixture must be wired in accordance with the National Electrical Code and all applicable local codes. Proper grounding is required for safety. THIS PRODUCT MUST BE INSTALLED IN ACCORDANCE WITH THE APPLICABLE INSTALLATION CODE BY A PERSON FAMILIAR WITH THE CONSTRUCTION AND OPERATION OF THE PRODUCT AND THE HAZARDS INVOLVED.

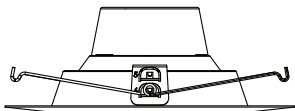
TO PREVENT ELECTRICAL SHOCK, POWER SHOULD BE TURNED OFF AT THE FUSE BOX BEFORE INSTALLATION.

SAFETY WARNINGS:

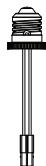
Read all product labels and directions.

- **WARNING – Risk of fire or electric shock. LED Retrofit Kit installation requires knowledge of luminaires electrical systems. If not qualified, do not attempt installation. Contact a qualified electrician.**
- **WARNING – Risk of fire or electric shock. Install this kit only in the luminaires that have the construction features and dimensions shown in the photographs and/or drawings and where the input rating of the retrofit kit does not exceed the input rating of the luminaire.**
- **Do not make or alter any open holes in an enclosure of wiring or electrical components during kit installation.**
- **WARNING – To prevent wiring damage or abrasion, do not expose wiring to edges of sheet metal or other sharp objects.**
- **Lamp replacement instructions shall indicate the manufacturer's custom lamp part number, and a method to order replacement lamps by phone, website and/or mail.**
- **These instructions shall be included on an information sheet packaged with each unit.**
- **CAUTION: SHOCK AND FIRE HAZARD, DO NOT USE WHEN ENCLOSURE IS BROKEN. SUITABLE FOR TYPE IC OR NON-IC LUMINAIRES. SUITABLE FOR WET LOCATIONS.**
- **WARNING – RISK OF FIRE OR ELECTRIC SHOCK. DO NOT ALTER, RELOCATE, OR REMOVE WIRING, LAMPHOLDERS, POWER SUPPLY, OR ANY OTHER ELECTRICAL COMPONENT.**
- **LED retrofit kits that reuse existing components, such as lampholders, shall include a statement in the installation instructions that advise the kit installer to examine all parts that are not intended to be replaced by the retrofit kit for damage and replace any damaged parts prior to installation of the retrofit kit.**

WHAT'S IN THE BOX



Fixture (1)



E26 adapter (1)



Lumi Sticker(1)

TOOLS NEEDED

The Recessed LED Downlight is designed to fit into the most common 5"/6" housing. No tools are necessary for installation.

MIN. LAMP COMPARTMENT DIMENSIONS

Installation with Existing Housing

Min lamp compartment dimensions - Dia: 5.51in, Height: 7.40in.
Compatible with most common 5/6" Recessed housings

INSTRUCTIONS

5"/6" Recessed Retrofit



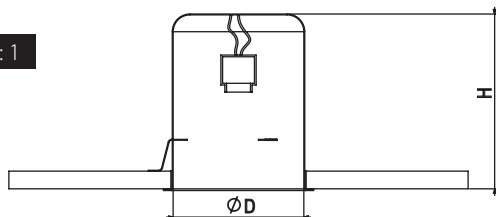
RAB Lighting is committed to creating high-quality, affordable, well-designed and energy-efficient LED lighting and controls that make it easy for electricians to install and end users to save energy. We'd love to hear your comments. Please call the Marketing Department at 888-RAB-1000 or email: marketing@rablighting.com

INSTALLATION

Before installing these products or doing any maintenance, make sure to turn off the power supply.

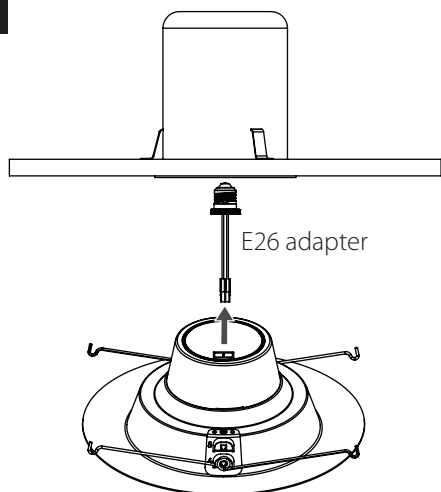
1. Check the dimension of recessed luminaire and the lampholder type to see if the retrofit can fit the housing. (Fig.1)

Fig: 1



2. Install the E26 adapter into the lampholder of luminaire, then plug the connector into female terminal of fixture. (Fig.2)

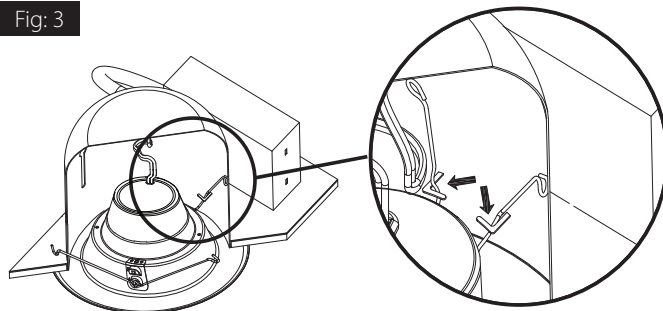
Fig: 2



INSTALLATION (cont'd)

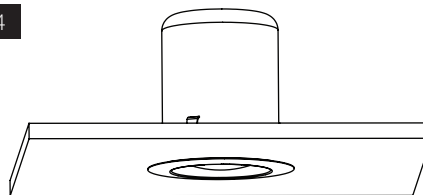
3. Squeeze torsion springs as shown and install into the metal brackets inside the recessed housing. For proper installation, the torsion springs should be seated within the brackets and on both sides of the housing. (Fig.3)

Fig: 3

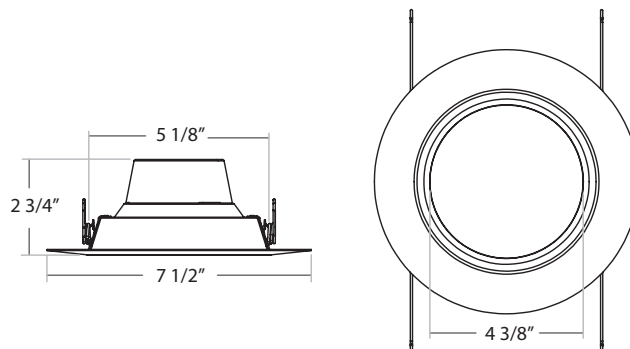


4. Carefully place wires into fixture and push the LED trim into the housing until flush with ceiling. (Fig.4)

Fig: 4



DIMENSIONAL DRAWINGS



Note: These instructions do not cover all details or variations in equipment nor do they provide for every possible situation during installation, operation or maintenance.



Easy Answers

rablighting.com
Visit our website for product info

Tech Help Line
Call our experts: 888 722-1000

e-mail
Answered promptly - sales@rablighting.com

Free Lighting Layouts
Answered online or by request