



Sand cast aluminum "Y" adapter mounts two floodlights in a single 1/2" threaded hole.

Color: Natural

Weight: 0.1 lbs

Project:	Type:
Prepared By:	Date:

### Technical Specifications

#### Compliance

**UL Listed:**

Suitable for wet locations

#### Other

**Outlet Box Construction:**

Precision die cast aluminum

**Buy American Act Compliance:**

RAB values USA manufacturing! Upon request, RAB may be able to manufacture this product to be compliant with the Buy American Act (BAA). Please contact customer service to request a quote for the product to be made BAA compliant.

#### Construction

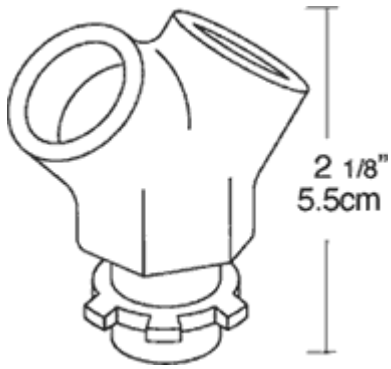
**Outlet Box Mounting Lugs:**

16 gauge corrosion protected steel with Phillips Flat head mounting screws

**Ground Screw:**

#10-24 Green corrosion protected steel slotted hex washer head screw provided in pre-tapped hole

**Dimensions**



**Features**

- Sand cast aluminum
- Mounts two floodlights
- 1/2" threaded hole