



Color: Bronze

Weight: 152.1 lbs

Project:	Type:
Prepared By:	Date:

### Technical Specifications

**Compliance**

**CSA Listed:**

Suitable for wet locations

**Performance**

**Description:**

Steel pole 6" taper 11 gauge 20 foot welded tenon square base

**Construction**

**Base Shaft Diameter:**

6"

**Hand Holes:**

Reinforced with grounding lug and removable cover

**Base Plates:**

Slotted base plates 36,000 p.s.i.

**Color:**

Bronze powder coating

**Tenon:**

Welded 2 3/8" tenon included

**Height:**

20 ft

**Gauge:**

11

**Wall Thickness:**

1/8"

**Anchor Bolt Templates:**

WARNING Template must be printed on 12" x 18" sheet for actual size. CHECK SCALE BEFORE USING. Templates shipped with anchor bolts and available [online](#).

**Max EPA's/Max Weights:**

- 70MPH 17.5 ft/550 lb.
- 80MPH 12.6 ft/525 lb.
- 90MPH 8.7 ft/500 lb.
- 100MPH 6.2 ft/500 lb.
- 110MPH 4.4 ft/500 lb.
- 120MPH 3.0 ft/500lb.
- 130MPH 1.8 ft/220 lb.
- 140MPH 1.0 ft/400 lb.
- 150MPH 0.9 ft/390 lb

**Accessories:**

Base/Cap: [BASE-RT6](#)  
Anchor Bolts: [BOLTS-8](#)

**Other**

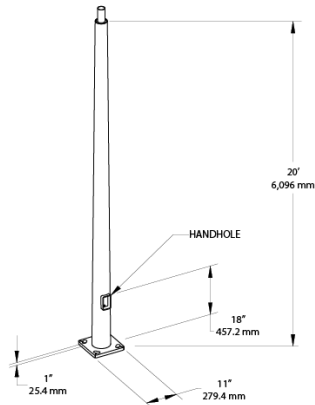
**Terms of Sale:**

Pole Terms of Sale is available [online](#).

**Buy American Act Compliance:**

RAB values USA manufacturing! Upon request, RAB may be able to manufacture this product to be compliant with the Buy American Act (BAA). Please contact customer service to request a quote for the product to be made BAA compliant.

**Dimensions**



**Features**

- Designed for ground mounting
- Heavy duty TGIC polyester coating
- Reinforced hand holes with grounding lug and removable cover for easy wiring access
- Pole caps, base covers & bolts are sold separately
- Custom manufactured for each application

**Ordering Matrix**

Family	Shape	Size	Gauge	Height	Drilled/Welded Tenon
P	TR	6	11	20	WT
	R = Round	4 = 4"	7 = 7	10 = 10'	D2 = Drilled
	TR = Tapered Round	5 = 5"	11 = 11	15 = 15'	WT = Welded Tenon
		6 = 6"		20 = 20'	
		7 = 7"		25 = 25'	
		8 = 8"		30 = 30'	