

INSTRUCTIONS

PORTO® and PORTO® XL INSTALLATION



RAB Lighting is committed to creating high-quality, affordable, well-designed and energy-efficient LED lighting and controls that make it easy for electricians to install and end users to save energy. We'd love to hear your comments. Please call the Marketing Department at 888-RAB-1000 or email: marketing@rablighting.com



PORTO®



PORTO® XL

IMPORTANT

READ CAREFULLY BEFORE INSTALLING FIXTURE. RETAIN THESE INSTRUCTIONS FOR FUTURE REFERENCE.

RAB fixtures must be wired in accordance with the National Electrical Code and all applicable local codes. Proper grounding is required for safety. THIS PRODUCT MUST BE INSTALLED IN ACCORDANCE WITH THE APPLICABLE INSTALLATION CODE BY A PERSON FAMILIAR WITH THE CONSTRUCTION AND OPERATION OF THE PRODUCT AND THE HAZARDS INVOLVED.

WARNING: Make certain power is OFF before installing or maintaining fixture. No user serviceable parts inside.

CAUTION: For proper weatherproof function all gaskets must be seated properly and all screws inserted and tightened firmly. Apply weatherproof silicone sealant around the edge of the ceiling mounting box and/or junction box. This is especially important with an uneven ceiling surface. Silicone all plugs and unused conduit entries.

CEILING MOUNTING

The fixture is suitable for outdoor applications in wet locations.

1. Loosen **Screws (2)** to free **Junction Box** from **LED Housing**. Remove **NPS Adaptor** as marked (Fig. 2) if mounting directly to ceiling surface without junction box.
2. Mount **Junction Box** to ceiling by knocking out (4) **Knock Out Locations** as marked in Fig. 3. Use the appropriate mounting hardware for the mounting surface. May alternately be mounted to recessed junction boxes.
3. For hands-free wiring, hang the fixture on the **EZ Hang Hook** as shown in Fig 1. Connect supply wires to **Fixture Wires**. Supply can come from back or through either of four 1/2" **Plugs** to make electrical splices. Use appropriate UL approved wire connectors as required by code to complete wiring.
4. Close fixture and tighten **Screws (2)**.
5. If mounting surface is irregular, use caulk to seal any gaps around **Junction Box**.

PENDANT MOUNTING

Fixture can be mounted to a 1/2" or 3/4" NPS Pendant. 1/2" to 3/4" **NPS Adaptor** is included.

1. Feed supply wires through Pendant (*supplied by others*)
2. Loosen **Screws (2)** on **LED Housing**.
3. Remove 1/2" plug and mount **Junction Box** to Pendant. For 3/4" Pendant, remove plug and **NPS Adaptor**. Hang LED fixture with **EZ Hang Hook** as shown in Fig. 1
4. Make supply connections wiring sections as shown in **Ceiling Mounting** section above.
5. Close fixture and tighten **Screws (2)**.

Fig: 1

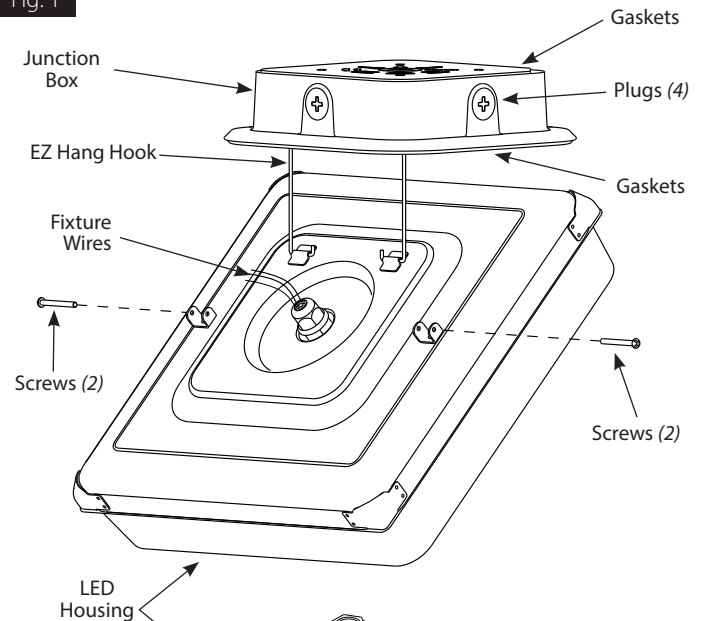
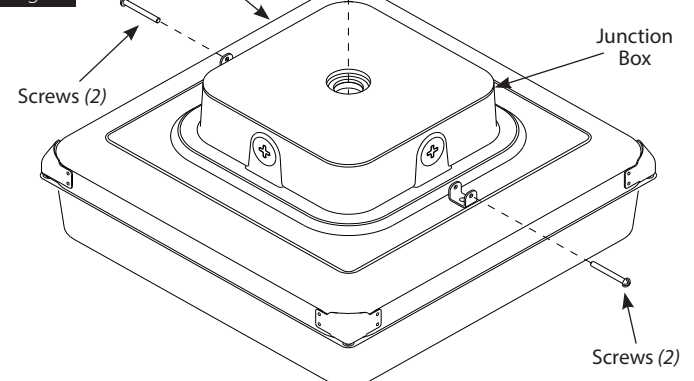


Fig: 2



INSTRUCTIONS

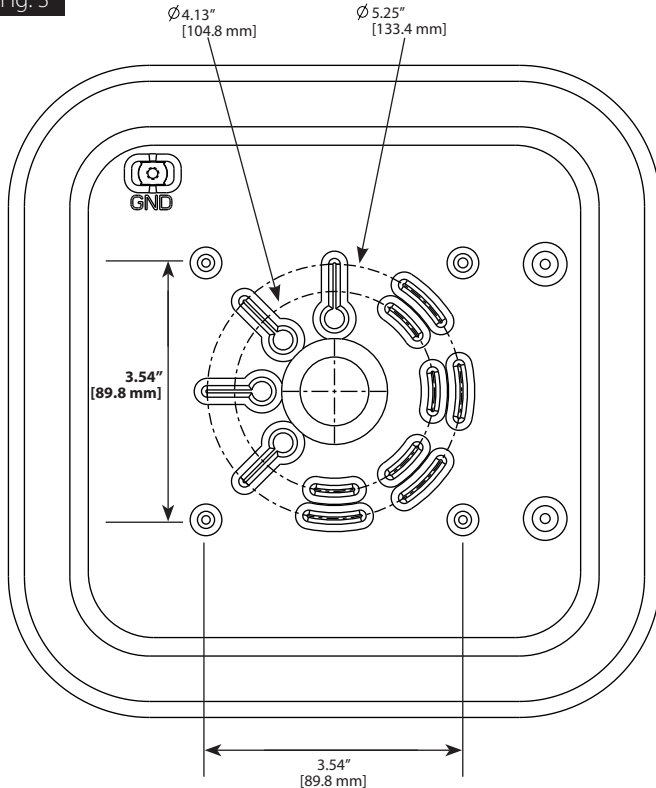
PORTO® and PORTO® XL INSTALLATION



RAB Lighting is committed to creating high-quality, affordable, well-designed and energy-efficient LED lighting and controls that make it easy for electricians to install and end users to save energy. We'd love to hear your comments. Please call the Marketing Department at 888-RAB-1000 or email: marketing@rablighting.com

KNOCK OUT LOCATIONS

Fig: 3

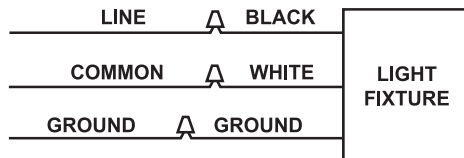


ON-OFF WIRING

Universal voltage driver permits operation at 120V thru 277V, 50 or 60 Hz. Units ordered with (/480V) suffix are 480V, 50Hz or 60Hz. For non-dimming, follow the wiring directions in Fig. 4.

1. Connect the black fixture lead to the **LINE** supply lead.
2. Connect the white fixture lead to the **COMMON** supply lead.
3. Connect the **GROUND** wire from fixture to supply ground.

Fig: 4



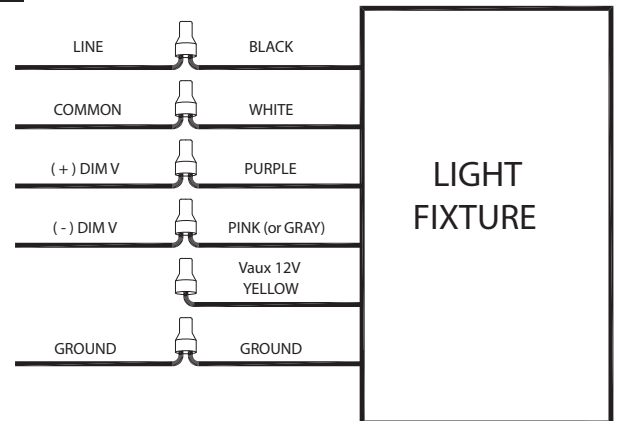
Note: These instructions do not cover all details or variations in equipment nor do they provide for every possible situation during installation, operation or maintenance.

0-10V DIMMABLE WIRING

Universal voltage driver permits operation at 120V thru 277V, 50 or 60 Hz. Units ordered with (/480V) suffix are 480V, 50Hz or 60Hz. For 0-10V Dimming follow the wiring directions shown in Fig. 5.

1. Connect the black fixture lead to the **LINE** supply lead.
2. Connect the white fixture lead to the **COMMON** supply lead.
3. Connect the **GROUND** wire from fixture to supply ground. Do **NOT** connect the **GROUND** of the dimming fixture to the output.
4. Connect the purple fixture lead to the (V+) DIM lead.
5. Connect the pink (or gray) fixture lead to the (V-) DIM lead.
6. Cap the yellow fixture lead, if present. Do **NOT** connect.

Fig: 5



TROUBLESHOOTING

1. Check that the line voltage at the fixture is correct. Refer to wiring directions.
2. Be sure the fixture is grounded properly.
3. Is the photocell, if used, functioning properly?

CLEANING & MAINTENANCE

CAUTION: Be sure fixture temperature is cool enough to touch. Do not clean or maintain while fixture is energized.

1. Clean polycarbonate lens with non-abrasive cleaning solution.
2. Do not open the fixture to clean the LEDs. Do not touch the LEDs.



© 2022 RAB LIGHTING Inc.

Easy Answers

rablighting.com
Visit our website for product info

Tech Help Line
Call our experts: 888 722-1000

e-mail
Answered promptly - sales@rablighting.com

Free Lighting Layouts
Answered online or by request

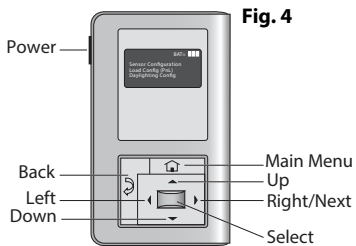
PORTO-IN - 1221
73131-RAB

RAB WARRANTY: RAB's warranty is subject to all terms and conditions found at rablighting.com/warranty **PATENT:** Patent information can be found at rablighting.com/ip

18745 BILEVEL SENSOR FOR D10

Thank you for buying RAB lighting fixtures. Our goal is to design the best quality products to get the job done right. We'd like to hear your comments. Call the Marketing Department at 888-RAB-1000 or email: marketing@rabweb.com

FSIR-100 (RAB CAT#WSREM) REMOTE



- Follow screen prompts
- When changing sensor settings, be sure to select **SEND** at the bottom right of the screen
- Sensor confirms setting change by blinking on and running through 1 cycle

CUSTOMIZATION

FSIR-100 remote (RAB CAT#WSREM) is necessary to customize settings.

For 24 hour operation: Change Setpoint=DIS (disabled)

Adjustment ranges:

- Auto calculates appropriate Setpoint based on surrounding light: 2 minute warm-up, blinks on/off 8 times, then turns off until motion is detected
- High Mode: 0-10V with 0.2V increments
- Low Mode: 0-9.8V with 0.2V increments
- Time Delay: 30 seconds, 1-30 minutes
- Cut-off: 1-59 minutes, 1-5 hours, DIS (disabled)
- Setpoint: 1-250 fc, AUTO, DIS (disabled)
- Sensitivity: NONE, LOW, MED, MAX
- Ramp-up Time: 1-60 seconds
- Fade-down Time: 1-60 seconds

ACCESSORIES

- WSREM remote
- WSLENS-8: 48' diameter coverage from 8' height
- WSLENS-20: 40' diameter coverage from 20' height
- WSLENS-40: 60' diameter coverage from 40' height
- WSLENS-40W: 100' diameter coverage from 40' height

OPERATION (NON-DIMMABLE DRIVER)

- Ambient light above the Setpoint causes sensor to keep fixture light off, despite detected motion
- Light turns on with motion detection
- Light turns off with lack of motion after reaching the Time Delay period

TROUBLESHOOTING ON FACTORY SETTINGS (WITHOUT REMOTE)

If the sensor does not detect motion as expected:

1. Check fixture mounting and compare fixture location and sensor coverage with the coverage diagrams
2. Check that movement is not directly towards sensor pattern, but across the pattern
 - Adjust fixture location as necessary
3. Check that far away movement directly towards sensor is not entirely within one **Detection Pattern Finger** (see coverage pattern diagrams on the next page)
 - Adjust sensitivity to maximum for best results with far away movement

TROUBLESHOOTING WITH REMOTE

*Adjusting sensor with remote (RAB CAT#WSREM) turns on fixture automatically. Once settings are changed, wait for fixture to turn off according to settings, then perform Walk Test.

1. Check current sensor settings by:
 - Select FSP-211 on main screen after powerup
 - Select **Current Settings** in menu
 - Point remote at sensor, press center button and release
 - Be sure that sensor blinks and fixture lights, confirming connection with remote
 - Current settings will be shown on remote screen
2. Fixture will not light/sensor does not detect motion: Using increments of 1 fc, adjust **Setpoint** to a larger value until fixture lights with motion, and/or raise **Sensitivity**
3. Fixture and sensor are too active: Using increments of 1 fc, adjust **Setpoint** to a lower value until fixture only lights at desired intervals/motions, and/or lower **Sensitivity**
4. Fixture lights at installation and follows expected pattern, but does not turn on with subsequent detected motion: See 2 and 3 above to adjust **Setpoint** or change **Setpoint** to Auto

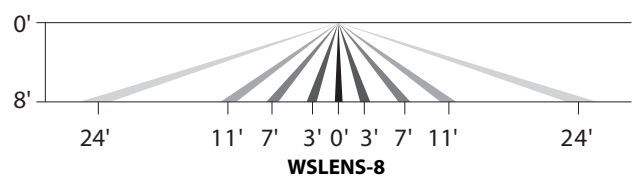
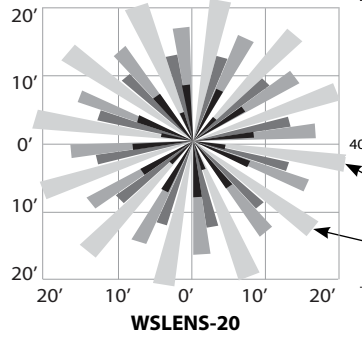
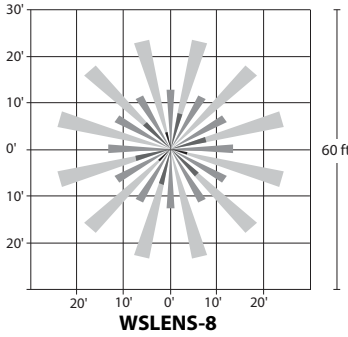
18745 BILEVEL SENSOR FOR D10



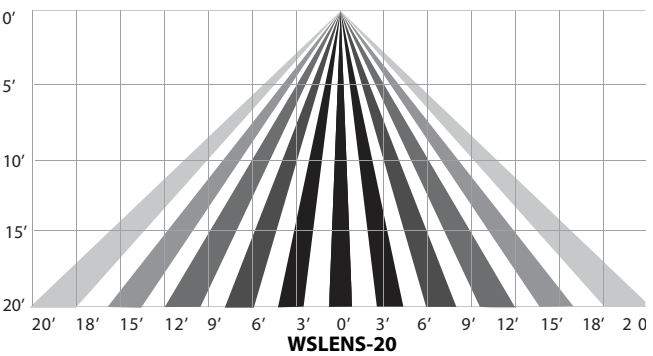
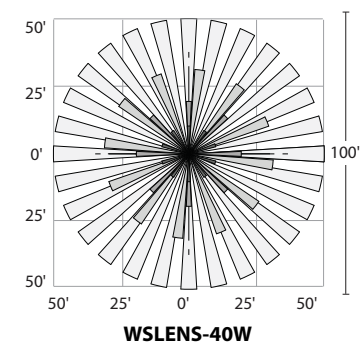
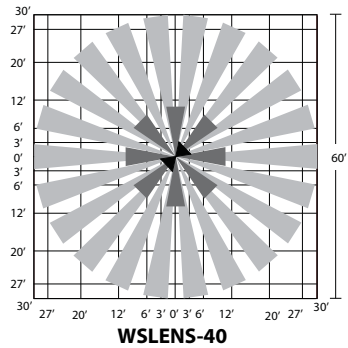
Thank you for buying RAB lighting fixtures. Our goal is to design the best quality products to get the job done right. We'd like to hear your comments. Call the Marketing Department at 888-RAB-1000 or email: marketing@rabweb.com

SENSOR TOP COVERAGE DIAGRAMS

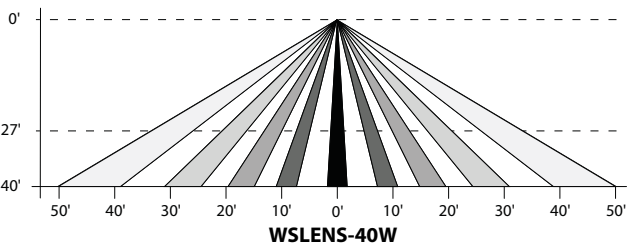
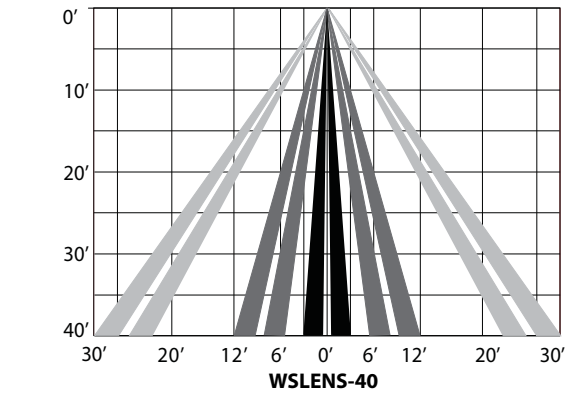
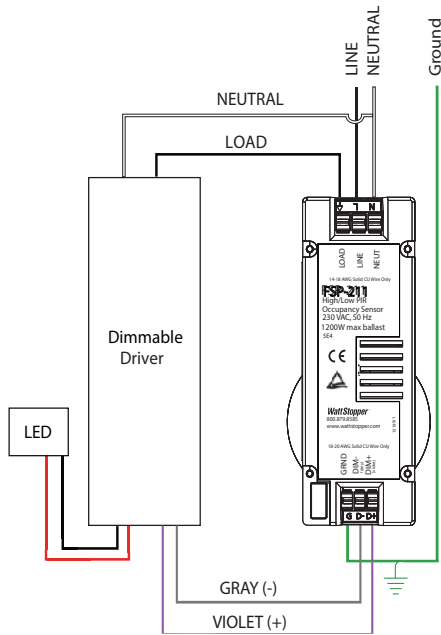
SENSOR SIDE COVERAGE DIAGRAMS



Detection Pattern Fingers



DIMMABLE WIRING DIAGRAM



Note: These instructions do not cover all details or variations in equipment nor do they provide for every possible situation during installation operation or maintenance.



Easy Installation & Product Help

Tech Help Line
Call our experts 888 RAB-1000

rabweb.com
Visit our website for product info

email
Answered promptly sales@rabweb.com