



<b>Project:</b>	<b>Type:</b>
<b>Prepared By:</b>	<b>Date:</b>

Driver Info		LED Info	
Type	Constant Current	Watts	55/42/30W
120V	0.50A/0.35A/0.25A	Color Temp	3500/4000/5000K
208V	0.29A/0.21A/0.15A	Color Accuracy	79-81 CRI
240V	0.25A/0.18A/0.13A	L70 Lifespan	100,000 Hours
277V	0.22A/0.15A/0.11A	Lumens	4,340-7,651 lm
Input Watts	29.7-53.4W	Efficacy	136.9-150.4 lm/W

## Technical Specifications

### Field Adjustability

#### Field Adjustable:

Field Adjustable Light Output:  
55W/42W/30W (factory default 55W)  
Color Temperature Selectable:  
3500K, 4000K and 5000K (factory default 4000K)  
On/Off Photocell (factory default "Off")

### Lightcloud

#### Lightcloud Controller Installed:

Fixture, Zone, and plug-load control from one powerful device. Capable of switching, 0-10V dimming, power monitoring. Can also be used to extend the range of the Lightcloud mesh network. Attach to fixture, junction box, or electrical panel. [Learn more at www.lightcloud.com](http://www.lightcloud.com)

### Compliance

#### UL Listed:

Suitable for wet locations

#### IP Rating:

Ingress protection rating of IP65 for dust and water

#### IESNA LM-79 & LM-80 Testing:

RAB LED luminaires and LED components have been tested by an independent laboratory in accordance with IESNA LM-79 and LM-80.

#### DLC Listed:

This product is listed by Design Lights Consortium (DLC) as an ultra-efficient premium product that qualifies for the highest tier of rebates from DLC Member Utilities. Designed to meet DLC 5.1 requirements.  
DLC Product Code: S-W1H0RF

### Performance

#### Lifespan:

100,000-Hour LED lifespan based on IES LM-80 results and TM-21 calculations

#### Driver:

55W: Constant Current, Class 1, 50/60 Hz, 120V-277V, 120V: 0.50A, 208V: 0.29A; 240V: 0.25A, 277V: 0.22A  
42W: Constant Current, Class 1, 50/60 Hz, 120V-277V, 120V: 0.35A, 208V: 0.21A; 240V: 0.18A, 277V: 0.15A  
30W: Constant Current, Class 1, 50/60 Hz, 120V-277V, 120V: 0.25A, 208V: 0.15A; 240V: 0.13A, 277V: 0.11A

### LED Characteristics

#### LEDs:

Long-life, high-efficacy, surface-mount LEDs

#### Color Consistency:

7-step MacAdam Ellipse binning to achieve consistent fixture-to-fixture color

#### Color Uniformity:

RAB's range of Correlated Color Temperature follows the guidelines of the American National Standard for Specifications for the Chromaticity of Solid State Lighting (SSL) Products, ANSI C78.377-2017.

### Electrical

#### Dimming Driver:

Driver includes dimming control wiring for 0-10V dimming systems. Requires separate 0-10V DC dimming circuit. Dims down to 10%.

#### THD:

55W: 5.38% at 120V, 11.56% at 277V  
42W: 7.09% at 120V, 13.57% at 277V  
30W: 10.03% at 120V, 14.01% at 277V

#### Power Factor:

55W: 99.6% at 120V, 93.6% at 277V  
42W: 99.3% at 120V, 90% at 277V  
30W: 98.8% at 120V, 83.8% at 277V

#### Surge Protection:

Ringwave LN4kV/LN-GND 6kV

#### Aux Power Supply:

Yes

#### Dim to Off:

Yes

## Technical Specifications (continued)

### Photocell:

Integrated photocell included with on/off switch  
(factory default: off)

### Construction

---

#### Cold Weather Starting:

The minimum starting temperature is -40°C (-40°F)

#### Maximum Ambient Temperature:

Suitable for use in up to 40°C (104°F)

#### Gaskets:

High-temperature silicone

#### Housing:

Die-cast aluminum

#### Lens:

Polycarbonate lens

#### Reflector:

Polycarbonate

#### Green Technology:

Mercury and UV free. RoHS-compliant components.

#### Finish:

Formulated for high durability and long-lasting color

### Installation

---

#### Mounting:

Surface and pendant mounting

### Optical

---

#### BUG Rating:

55W: B3 U5 G4

42W: B2 U5 G4

30W: B2 U4 G3

### Other

---

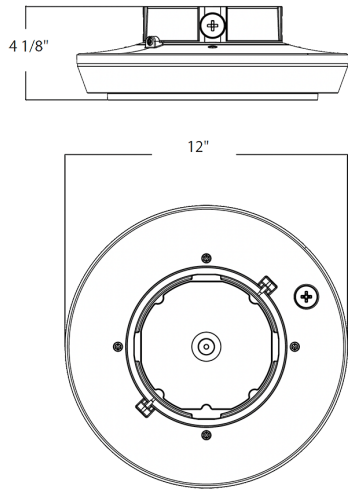
#### 5 Yr Limited Warranty:

The RAB 5-year, limited warranty covers light output, driver performance and paint finish. RAB's warranty is subject to all terms and conditions found at [rablighting.com/warranty](http://rablighting.com/warranty).

#### Buy American Act Compliance:

RAB values USA manufacturing! Upon request, RAB may be able to manufacture this product to be compliant with the Buy American Act (BAA). Please contact customer service to request a quote for the product to be made BAA compliant.

Dimensions



Features

- IP65 rated
- 100,000-Hour LED lifespan
- 5-Year Limited Warranty

Ordering Matrix

Family	Wattage	Color Temp	Shape	Finish	Driver	Options
PRT	55		R	W		/LC
	55 = 55/42/30W 80 = 80/70/60W 110 = 110/95/80W	Blank = 3500/4000/5000K Adjustable CCT	R = Round S = Square	Blank = Bronze W = White	Blank = 120-277V, 0-10V Dimming /480 = 480V, 0-10V Dimming	Blank = On/Off Photocell <sup>1</sup> /E = Battery Backup & On/Off Photocell <sup>2</sup> /LC = Lightcloud /LCB = Lightcloud Blue /LC/E = Lightcloud w/Battery Backup <sup>2</sup> /LCB/E = Lightcloud Blue w/ Battery Backup <sup>2</sup>

<sup>1</sup> Integrated photocell can't be used when ordered with LC or LCB options

<sup>2</sup> Battery backup only available on 120-277V models