

INSTRUCTIONS

PORTO® and PORTO® XL INSTALLATION

RAB®

RAB Lighting is committed to creating high-quality, affordable, well-designed and energy-efficient LED lighting and controls that make it easy for electricians to install and end users to save energy. We'd love to hear your comments. Please call the Marketing Department at 888-RAB-1000 or email: marketing@rablighting.com



PORTO®



PORTO® XL

IMPORTANT

READ CAREFULLY BEFORE INSTALLING FIXTURE. RETAIN THESE INSTRUCTIONS FOR FUTURE REFERENCE.

RAB fixtures must be wired in accordance with the National Electrical Code and all applicable local codes. Proper grounding is required for safety. THIS PRODUCT MUST BE INSTALLED IN ACCORDANCE WITH THE APPLICABLE INSTALLATION CODE BY A PERSON FAMILIAR WITH THE CONSTRUCTION AND OPERATION OF THE PRODUCT AND THE HAZARDS INVOLVED.

WARNING: Make certain power is OFF before installing or maintaining fixture. No user serviceable parts inside.

CAUTION: For proper weatherproof function all gaskets must be seated properly and all screws inserted and tightened firmly. Apply weatherproof silicone sealant around the edge of the ceiling mounting box and/or junction box. This is especially important with an uneven ceiling surface. Silicone all plugs and unused conduit entries.

CEILING MOUNTING

The fixture is suitable for outdoor applications in wet locations.

1. Loosen **Screws (2)** to free **Junction Box** from **LED Housing**. Remove **NPS Adaptor** as marked (Fig. 2) if mounting directly to ceiling surface without junction box.
2. Mount **Junction Box** to ceiling by knocking out (4) **Knock Out Locations** as marked in Fig. 3. Use the appropriate mounting hardware for the mounting surface. May alternately be mounted to recessed junction boxes.
3. For hands-free wiring, hang the fixture on the **EZ Hang Hook** as shown in Fig 1. Connect supply wires to **Fixture Wires**. Supply can come from back or through either of four 1/2" **Plugs** to make electrical splices. Use appropriate UL approved wire connectors as required by code to complete wiring.
4. Close fixture and tighten **Screws (2)**.
5. If mounting surface is irregular, use caulk to seal any gaps around **Junction Box**.

PENDANT MOUNTING

Fixture can be mounted to a 1/2" or 3/4" NPS Pendant. 1/2" to 3/4" **NPS Adaptor** is included.

1. Feed supply wires through Pendant (*supplied by others*)
2. Loosen **Screws (2)** on **LED Housing**.
3. Remove 1/2" plug and mount **Junction Box** to Pendant. For 3/4" Pendant, remove plug and **NPS Adaptor**. Hang LED fixture with **EZ Hang Hook** as shown in Fig. 1
4. Make supply connections wiring sections as shown in **Ceiling Mounting** section above.
5. Close fixture and tighten **Screws (2)**.

Fig: 1

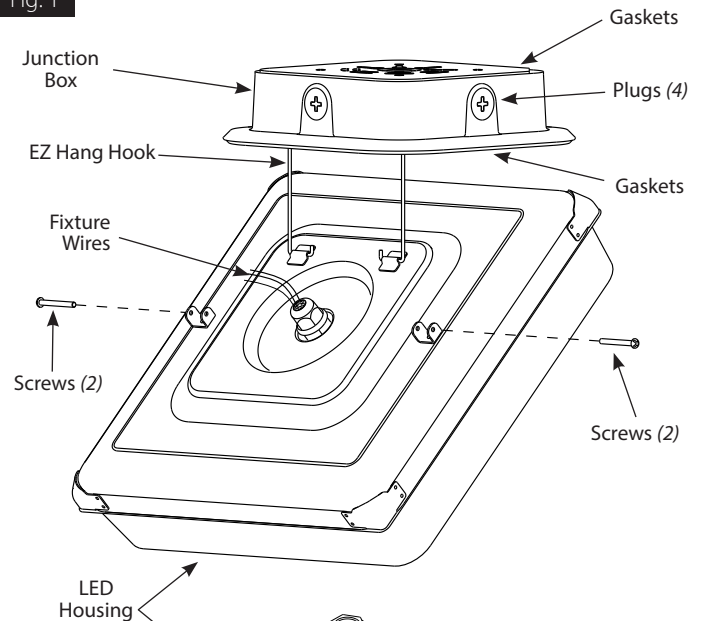
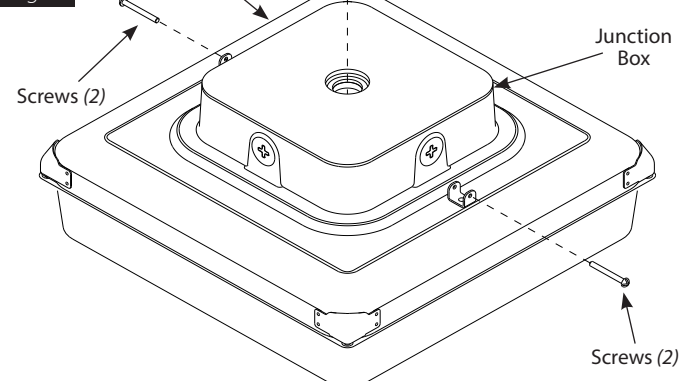


Fig: 2



INSTRUCTIONS

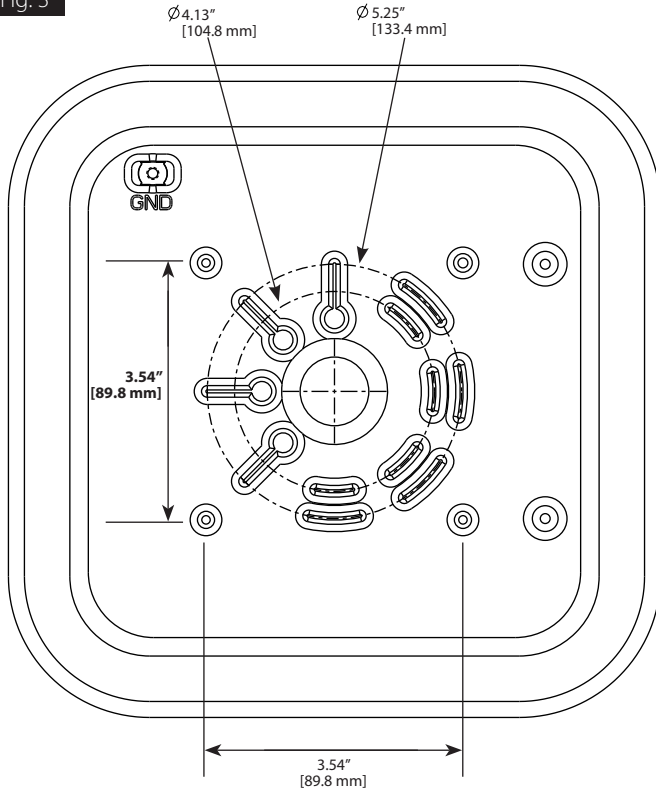
PORTO® and PORTO® XL INSTALLATION



RAB Lighting is committed to creating high-quality, affordable, well-designed and energy-efficient LED lighting and controls that make it easy for electricians to install and end users to save energy. We'd love to hear your comments. Please call the Marketing Department at 888-RAB-1000 or email: marketing@rablighting.com

KNOCK OUT LOCATIONS

Fig: 3

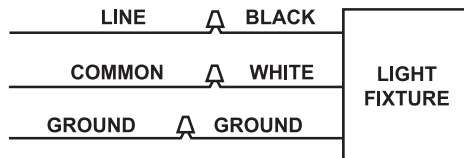


ON-OFF WIRING

Universal voltage driver permits operation at 120V thru 277V, 50 or 60 Hz. Units ordered with (/480V) suffix are 480V, 50Hz or 60Hz. For non-dimming, follow the wiring directions in Fig. 4.

1. Connect the black fixture lead to the **LINE** supply lead.
2. Connect the white fixture lead to the **COMMON** supply lead.
3. Connect the **GROUND** wire from fixture to supply ground.

Fig: 4



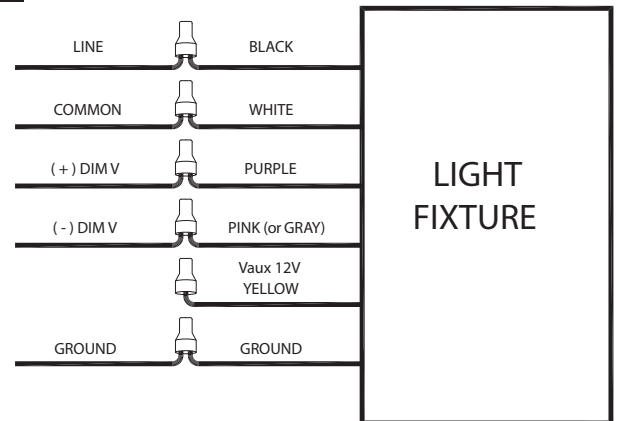
Note: These instructions do not cover all details or variations in equipment nor do they provide for every possible situation during installation, operation or maintenance.

0-10V DIMMABLE WIRING

Universal voltage driver permits operation at 120V thru 277V, 50 or 60 Hz. Units ordered with (/480V) suffix are 480V, 50Hz or 60Hz. For 0-10V Dimming follow the wiring directions shown in Fig. 5.

1. Connect the black fixture lead to the **LINE** supply lead.
2. Connect the white fixture lead to the **COMMON** supply lead.
3. Connect the **GROUND** wire from fixture to supply ground. Do **NOT** connect the **GROUND** of the dimming fixture to the output.
4. Connect the purple fixture lead to the (V+) DIM lead.
5. Connect the pink (or gray) fixture lead to the (V-) DIM lead.
6. Cap the yellow fixture lead, if present. Do **NOT** connect.

Fig: 5



TROUBLESHOOTING

1. Check that the line voltage at the fixture is correct. Refer to wiring directions.
2. Be sure the fixture is grounded properly.
3. Is the photocell, if used, functioning properly?

CLEANING & MAINTENANCE

CAUTION: Be sure fixture temperature is cool enough to touch. Do not clean or maintain while fixture is energized.

1. Clean polycarbonate lens with non-abrasive cleaning solution.
2. Do not open the fixture to clean the LEDs. Do not touch the LEDs.



© 2022 RAB LIGHTING Inc.

PORTO-IN - 1221
73131-RAB

Easy Answers

rablighting.com
Visit our website for product info

Tech Help Line
Call our experts: 888 722-1000

e-mail
Answered promptly - sales@rablighting.com

Free Lighting Layouts
Answered online or by request

RAB WARRANTY: RAB's warranty is subject to all terms and conditions found at rablighting.com/warranty **PATENT:** Patent information can be found at rablighting.com/ip