



This ultra high efficiency LED garage light delivers up to 118 lumens per Watt. Available in 30, 42 and 55 Watt versions that replace 70 to 175 Watt metal halide fixtures. Fixture measures 14" L x 14" W.

Color: Bronze

Weight: 10.4 lbs

<b>Project:</b>	<b>Type:</b>
<b>Prepared By:</b>	<b>Date:</b>

Driver Info		LED Info	
Type	Constant Current	Watts	30W
120V	0.25A	Color Temp	4000K (Neutral)
208V	0.16A	Color Accuracy	77 CRI
240V	0.14A	L70 Lifespan	100,000 Hours
277V	0.12A	Lumens	3,535 lm
Input Watts	27.7W	Efficacy	127.6 lm/W

## Technical Specifications

### Compliance

**UL Listed:**

Suitable for wet locations

**IP Rating:**

Ingress protection rating of IP66 for dust and water

**DLC Listed:**

This product is listed by Design Lights Consortium (DLC) as an ultra-efficient premium product that qualifies for the highest tier of rebates from DLC Member Utilities. Designed to meet DLC 5.1 requirements.

DLC Product Code: PKBV1QH8

### Electrical

**Drivers:**

Constant Current, Class 2, 480V, 50/60 Hz. 480V: 0.12A, THD <20%.

**Dimming Driver:**

Driver includes dimming control wiring for 0-10V dimming systems. Requires separate 0-10V DC dimming circuit. Dims down to 10%.

**THD:**

6.2% at 480V

**Power Factor:**

90.9% at 480V

### Construction

**Lens:**

Frosted polycarbonate

**Gaskets:**

High-temperature silicone

**Ambient Temperature:**

Suitable for use in up to 40°C (104°F)

**Finish:**

Formulated for high durability and long-lasting color

**Cold Weather Starting:**

The minimum starting temperature is -40°C (-40°F)

**Thermal Management:**

Superior thermal management with external "Air-Flow" fins

**Housing:**

Die-cast aluminum and sheetmetal housing. Polycarbonate is affected by cleaning agents or other liquids containing partial solvents such as low molecular weight aldehydes and ethers, ketones, esters, aromatic hydrocarbons and perchlorinated hydrocarbons. [Click here for a detailed list of damaging chemicals.](#)

### Mounting:

Die-cast aluminum backbox with (4) 1/2" conduit openings with plugs. Hinged tether for easy installation and wiring. Also accommodates 1/2" or 3/4" NPS pendants (provided by others).

**Reflector:**

Specular polycarbonate

**Green Technology:**

Mercury and UV free. RoHS-compliant components.

### LED Characteristics

**LEDs:**

Long-life, high-efficacy, surface-mount LEDs

**Color Consistency:**

7-step MacAdam Ellipse binning to achieve consistent fixture-to-fixture color

**Color Uniformity:**

RAB's range of Correlated Color Temperature follows the guidelines of the American National Standard for Specifications for the Chromaticity of Solid State Lighting (SSL) Products, ANSI C78.377-2017.

### Performance

**Lifespan:**

100,000-Hour LED lifespan based on IES LM-80 results and TM-21 calculations

**Technical Specifications (continued)**

**Wattage Equivalency:**

Equivalent to 100W Metal Halide

**Other**

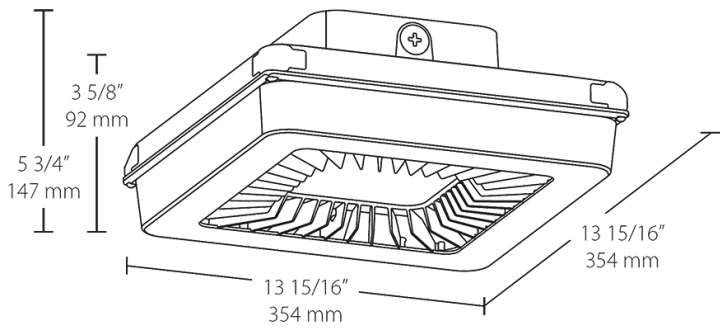
**Warranty:**

RAB warrants that our LED products will be free from defects in materials and workmanship for a period of five (5) years from the date of delivery to the end user, including coverage of light output, color stability, driver performance and fixture finish. RAB's warranty is subject to all terms and conditions found at [rablighting.com/warranty](http://rablighting.com/warranty).

**Buy American Act Compliance:**

RAB values USA manufacturing! Upon request, RAB may be able to manufacture this product to be compliant with the Buy American Act (BAA). Please contact customer service to request a quote for the product to be made BAA compliant.

**Dimensions**



**Features**

- Ultra-high efficiency
- Pendant or surface mount
- Low glare, vandal-resistant polycarbonate lens
- 20% uplight eliminates "cave effect"
- 100,000-Hour LED lifespan
- 5-Year, No-Compromise Warranty

Ordering Matrix

Family	Wattage	Color Temp	Finish	Driver Options	Options	Other Options
PRT	30	N		/480		
	30 = 30W (14" x 14") 42 = 42W (14" x 14") 55 = 55W (14" x 14") 70 = 70W (18" x 18") 80 = 80W (18" x 18") 105 = 105W (18" x 18")	<b>Blank</b> = 5000K Cool <b>N</b> = 4000K Neutral <b>Y</b> = 3000K Warm	<b>Blank</b> = Bronze <b>W</b> = White	<b>Blank</b> = 120-277V, 0-10V Dimming <b>/480</b> = 480V, 0-10V Dimming	<b>Blank</b> = No Option <b>/E</b> = Battery Backup <b>/WS</b> = Multi-Level Motion Sensor for 14" <b>/WS2</b> = Multi-Level Motion Sensor for 18" <b>/PCS</b> = 120V Swivel Photocell <b>/PCS2</b> = 277V Swivel Photocell <b>/PCS4</b> = 480V Swivel Photocell <b>/LC</b> = Lightcloud® Controller <b>/LCS</b> = Lightcloud® Sensor	<b>USA</b> = BAA Compliant <b>Blank</b> = Standard

<sup>1</sup> Only available for 120-277V.