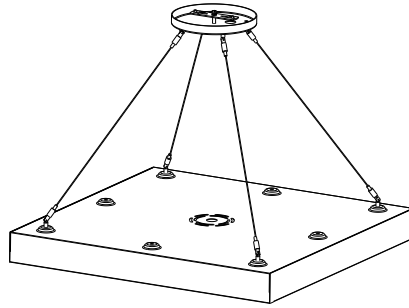


# PENDANT MOUNT KIT PMKEZPAN 2X2, 2X4 INSTALLATION INSTRUCTIONS



Thank you for buying RAB lighting fixtures. Our goal is to design the best quality products to get the job done right. We'd like to hear your comments. Call the Marketing Department at 888-RAB-1000 or email: marketing@rabweb.com



## IMPORTANT

**READ CAREFULLY BEFORE INSTALLING FIXTURE. RETAIN THESE INSTRUCTIONS FOR FUTURE REFERENCE.**

RAB fixtures must be wired in accordance with the National Electrical Code and all applicable local codes. Proper grounding is required for safety. THIS PRODUCT MUST BE INSTALLED IN ACCORDANCE WITH THE APPLICABLE INSTALLATION CODE BY A PERSON FAMILIAR WITH THE CONSTRUCTION AND OPERATION OF THE PRODUCT AND THE HAZARDS INVOLVED.

**Make certain power is OFF before installing or maintaining fixture.**

## SAFETY INSTRUCTIONS

**WARNING: Risk of fire or electric shock. Suitable for Damp locations. Do not handle energized fixture when hands are wet, when standing on wet or damp surfaces, or in water. Fixture to be independently supported to building structure.**

**WARNING: Use Junction Box (not supplied) suitable for total weight, see Fig. 2.**

## CANOPY TO FIXTURE MOUNTING

1. Install the **Cable Gripper** on the **SMK** (Surface Mount Kit).
2. Loosen the **Cable Gripper Lock Nut**
3. Insert the **Steel Cable** into **Cable Gripper**. Adjust the length of the **Steel Cable**, trim excess **Steel Cable** if needed.
4. Rotate the **Cable Gripper Locknut** and secure **Steel Cable**.
5. Wire female connector to power cord, see wiring diagram. **WARNING: To prevent wiring damage or abrasion, do not expose wiring to edges of sheet metal or other sharp objects.**

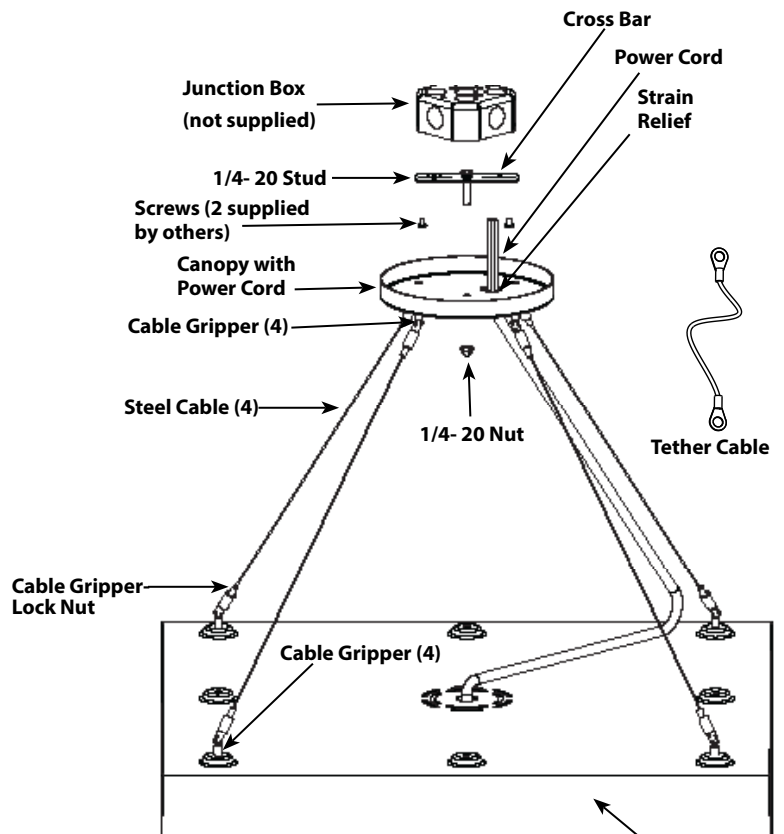


Fig. 1

SMK (Surface Mount Kit)

PMK WEIGHT TABLE (including fixture)

PMKEZPAN 2X2	20 lbs.
PMKEZPAN 2X4	35 lbs.

Fig. 2

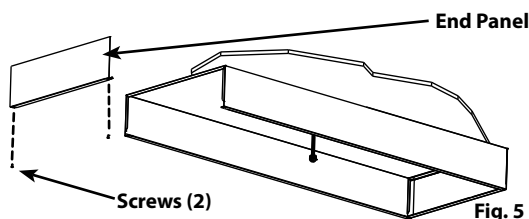
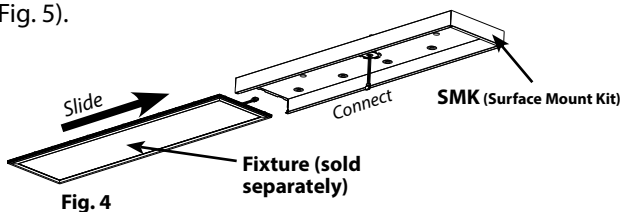
# PENDANT MOUNT KIT PMKEZPAN 2X2, 2X4 INSTALLATION INSTRUCTIONS



Thank you for buying RAB lighting fixtures. Our goal is to design the best quality products to get the job done right. We'd like to hear your comments. Call the Marketing Department at 888-RAB-1000 or email: [marketing@rabweb.com](mailto:marketing@rabweb.com)

## CANOPY TO SURFACE MOUNTING

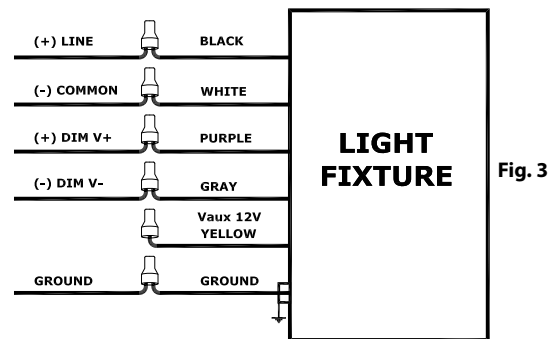
1. Secure **Cable Grippers** (4) on **Canopy**.
2. Insert **Steel Cable** into each **Cable Gripper** until it exits out the side of the **Cable Gripper**.
3. Slide **Power Cord** through feed hole on **Canopy** and secure with **Strain Relief** (Fig.1). Leave sufficient **Power Cord** exiting out of **Canopy Strain Relief** to connect to building power. Connect wires as shown in wiring diagram(Fig. 3).
4. Push all wires back into the **Junction Box**. Be careful not to pinch wires.
5. Mount the **Cross Bar** on **Junction Box** with screws (2 supplied by others). Attach safety **Tether Cable** from **Cross Bar** to **Canopy** with included hardware.
6. Place the **Canopy** on the mounting surface. Align with 1/4-20 screw and secure with 1/4-20 nut (both supplied).
7. Run **Power Cord** through **SMK** (Surface Mount Kit) center feed hole.
8. Wire Driver to male connector, see wiring diagram.
9. To install **EZPAN Fixture** (sold separately) in **SMK**, slide the **Fixture** into the **SMK** by following directional arrow (Fig 4).
10. Plug **Female** and **Male Connectors** to complete electrical splices by following wiring directions on EZPAN fixture instruction sheet.
11. Replace **End Panel** to **SMK** and secure with (2) 8-32 **Screws** (Fig. 5).



## 0-10V DIMMABLE WIRING

Universal voltage driver permits operation at 120V thru 277V, 50 or 60 Hz. For 0-10V Dimming, follow the wiring directions as shown below.

1. Connect the black fixture lead to the (+) LINE supply lead.
2. Connect the white fixture lead to the (-) COMMON supply lead.
3. Connect the GROUND wire from fixture to supply ground. Do NOT connect the GROUND of the dimming fixture to the output.
4. Connect the purple fixture lead to the (V+) DIM lead.
5. Connect the gray fixture lead to the (V-) DIM lead.
6. Cap the yellow fixture lead. Do NOT connect.



## CLEANING & MAINTENANCE

**CAUTION: Be sure fixture temperature is cool enough to touch. Do not clean or maintain while fixture is energized.**

1. Clean acrylic lens & fixture with non-abrasive cleaning solution.
2. Do not open fixture to clean the LEDs. Do not touch the LEDs.

## TROUBLESHOOTING

1. Check that the line voltage at fixture is correct. Refer to wiring directions.
2. Is the fixture grounded properly?

Note: These instructions do not cover all details or variations in equipment nor do they provide for every possible situation during installation, operation or maintenance.



### Easy Answers

[rabweb.com](http://rabweb.com)  
Visit our website for product info

Tech Help Line  
Call our experts - 888 722-1000

e-mail  
Answered promptly - [sales@rabweb.com](mailto:sales@rabweb.com)

Free Lighting Layouts  
Answered online or by request