

| | | | |
|-----------------|--------------|---------------------|--------------|
| Project: | Type: | Prepared By: | Date: |
|-----------------|--------------|---------------------|--------------|



Features and Benefits

- Replaces 18W/26W/32W G24d & G24q CFL Lamps
- Ballast Bypass. Integral Driver enables lamp to be wired directly to line voltage without need for an external driver or ballast
- Compatible with G24d / GX24d & G24q / GX24q installations
- 50,000 hour Lifespan
- Environmentally friendly, no mercury used
- UL Classified
- Rated for use in enclosed and open fixtures in dry or damp locations
- Non-Dimmable
- 5 Year No Compromise Warranty

Technical Specifications

| | | |
|--|--|---|
| Performance <hr/> Product Type: Compacts Input Wattage: 15.5W Lumens (Nominal): 1,800lm Efficacy: 116lm/W L70 Lifespan: 50,000-Hour LED lifespan based on IES LM-80 results and TM-21 calculations Wattage Equivalency: 42W G24d/G24q/Gx24q LED Characteristics <hr/> Color Accuracy (CRI): 80 Color Temperature: 3000K | Electrical <hr/> THD: 20% Power Factor: >0.9 Dimmable: Non-Dim Input Voltage: 120-277V AC Operating Frequency: 50/60Hz Operating Temperature: -20°C to 45°C (-4°F to 113°F) Construction <hr/> Bulb Shape: PLT-Horizontal Enclosure Material: Polycarbonate | Housing Finish: White Lens Finish: Frosted Base Type: 2-Pin G24d Optical <hr/> Beam Angle: 110° Installation <hr/> Installation Method: UL Type B, Ballast Bypass Burning Position: Horizontal Other <hr/> Technology EQ: CFL |
|--|--|---|

Technical Specifications (continued)

Warranty:

RAB warrants that our LED products will be free from defects in materials and workmanship for a period of five (5) years from the date of delivery to the end user, including coverage of light output, color stability, driver performance and fixture finish. RAB's warranty is subject to all terms and conditions found at rablighting.com/warranty.

Compliance

Listings:

UL Classified, UL Recognized

Environment/Fixture Rating:

Damp / Open

RoHS:

Mercury and UV free. RoHS-compliant components.

FCC:

Complies with Part 15B of the FCC Rules

Model Number for Certification:

T10220(PLT-15.5-H-830-BYP)

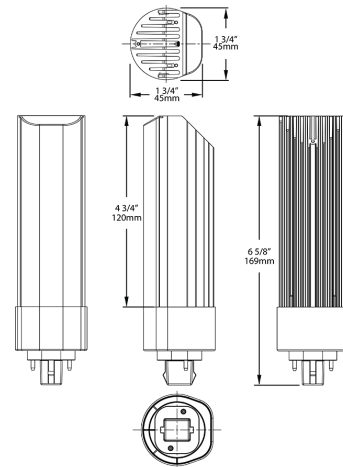
Minimum Compartment Size

| Length x Width x Height [in] | Lamp Quantity |
|------------------------------|---------------|
| 7 | 1 |

Case and Pallet Dimensions

| | QTY | LENGTH (in) | WIDTH (in) | HEIGHT (in) |
|--------|-----|-------------|------------|-------------|
| CASE | 12 | 0 | 0 | 0 |
| PALLET | 440 | 0 | 0 | 0 |

Dimension



Light Distribution

