



UPC: 192552007306

Weight: 0.0 lbs

|              |       |
|--------------|-------|
| Project:     | Type: |
| Prepared By: | Date: |

### Technical Specifications

#### Performance

**Product Type:**

Compacts

**Input Wattage:**

5.5W

**Lumens (Nominal):**

600lm

**Efficacy:**

109lm/W

**L70 Lifespan:**

50,000-Hour LED lifespan based on IES LM-70 results

**Wattage Equivalency:**

11W CFL

#### Compliance

**UL Listed:**

Suitable for damp locations

**Enclosed Fixtures:**

Suitable for use in enclosed fixtures

#### LED Characteristics

**Color Temperature:**

4000K

**Color Accuracy (CRI):**

≥80 CRI

#### Construction

**Bulb Shape:**

PLS-Horizontal

**Base Type:**

Gx23

**Endcap Material:**

Copper

**Enclosure Material:**

Polycarbonate

#### Optical

**Beam Angle:**

120°

#### Electrical

**THD:**

20%

**Power Factor:**

0.9

**Flicker:**

50%

**Operating Temperature:**

-20°C to 45°C (-4°F to 113°F)

**Input Voltage:**

120-277V

**Operating Frequency:**

50/60Hz

#### Other

**Warranty:**

RAB warrants that our LED products will be free from defects in materials and workmanship for a period of five (5) years from the date of delivery to the end user, including coverage of light output, color stability, driver performance and fixture finish. RAB's warranty is subject to all terms and conditions found at [rablighting.com/warranty](http://rablighting.com/warranty).

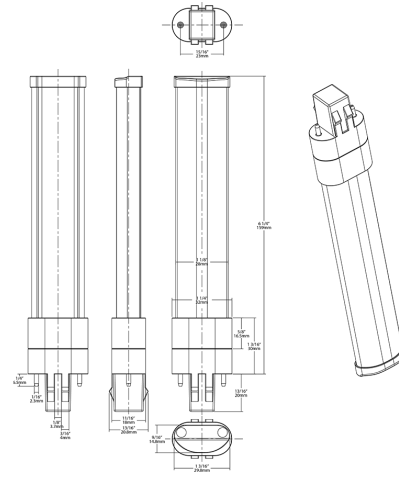
**Buy American Act Compliance:**

RAB values USA manufacturing! Upon request, RAB may be able to manufacture this product to be compliant with the Buy American Act (BAA). Please contact customer service to request a quote for the product to be made BAA compliant.

**Case and Pallet Dimensions**

|        | QTY | LENGTH (in) | WIDTH (in) | HEIGHT (in) |
|--------|-----|-------------|------------|-------------|
| CASE   | 12  | 7.2         | 5.4        | 3           |
| PALLET | 0   | 0           | 0          | 0           |

**Dimension**



**Features**

- Replaces 13W CFL Lamps
- Plug and Play on existing magnetic CFL ballasts or can be wired directly to line voltage without need for an external driver or ballast
- Compatible with Gx23 base installations
- 50,000 hour Lifespan
- Environmentally friendly, no mercury used
- UL Classified
- Rated for use in enclosed and open fixtures in dry or damp locations
- 5 Year No Compromise Warranty

**Ordering Matrix**

| Family | Wattage                            | Orientation    | CRI/Color Temp   | Installation Type |
|--------|------------------------------------|----------------|--|-------------------|
| PLS    | 5.2                                | H              | 840  | HYB               |
|        | 3.5 = 3.5W<br>5 = 5W<br>5.2 = 5.2W | H = Horizontal | 840 = 80 CRI, 4000K<br>835 = 80 CRI, 3500K<br>830 = 80 CRI, 3000K<br>827 = 80 CRI, 2700K | HYB = Hybrid      |