



Project:	Type:
Prepared By:	Date:

Technical Specifications

Performance

Product Type:

Compacts

Input Wattage:

13.5W

Lumens (Nominal):

2,100lm

Efficacy:

156lm/W

L70 Lifespan:

50,000-Hour LED lifespan based on IES LM-80 results and TM-21 calculations

Wattage Equivalency:

FT40/2G11

Electrical

THD:

20%

Power Factor:

>0.9

Dimmable:

Not suggested for dimming applications

Input Voltage:

120-277V AC

Operating Frequency:

50/60Hz

Operating Temperature:

-20°C to 45°C (-4°F to 113°F)

LED Characteristics

Color Accuracy (CRI):

80

Color Temperature:

5000K

Construction

Bulb Shape:

PLL

Enclosure Material:

Polycarbonate Endcap with Glass

Housing Finish:

White

Lens Finish:

Frosted

Installation

Installation Method:

UL Type A, Plug and Play

Burning Position:

Horizontal

Other

Technology EQ:

CFL

Warranty:

RAB warrants that our LED products will be free from defects in materials and workmanship for a period of five (5) years from the date of delivery to the end user, including coverage of light output, color stability, driver performance and fixture finish. RAB's warranty is subject to all terms and conditions found at rablighting.com/warranty.

Buy American Act Compliance:

RAB values USA manufacturing! Upon request, RAB may be able to manufacture this product to be compliant with the Buy American Act (BAA). Please contact customer service to request a quote for the product to be made BAA compliant.

Compliance

Listings:

UL Listed

Technical Specifications (continued)

Environment/Fixture Rating:

Damp / Enclosed

RoHS:

Mercury and UV free. RoHS-compliant components.

FCC:

Complies with Part 15B of the FCC Rules

Model Number for Certification:

T10229(PLL-13.5-850-DIR)

DLC Listed:

This product is on the Design Lights Consortium (DLC) Qualified Products List and is eligible for rebates from DLC Member Utilities. Designed to meet DLC 5.1 requirements.

DLC Product Code: PL7B7KDI9OE3

Optical

Beam Angle:

160°

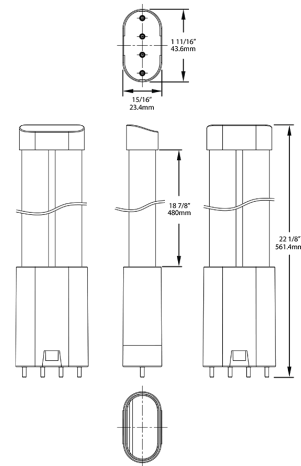
Minimum Compartment Size

Length x Width x Height [in]	Lamp Quantity
23	1

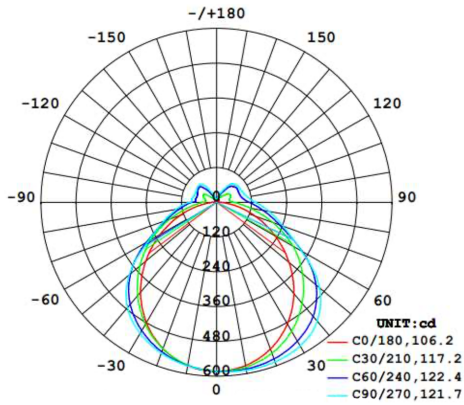
Case and Pallet Dimensions

	QTY	LENGTH (in)	WIDTH (in)	HEIGHT (in)
CASE	12	0	0	0
PALLET	256	0	0	0

Dimension



Light Distribution



Features

- Replaces 36W twin tube CFL 2G11 Lamps
- Ballast Compatible. Directly Compatible with Most Existing Electronic CFL Ballasts.
- Compatible with 2G11 (4-pin CFL) installations
- 50,000 hour Lifespan
- Environmentally friendly, no mercury used
- UL Listed
- Rated for use in enclosed and open fixtures in dry or damp locations
- 5 Year No Compromise Warranty

Ordering Matrix

Family	Wattage	CRI/Color Temp	Installation Type
PLL	13.5	850	DIR
	13.5 = 13.5W 14 = 14W	850 = 80 CRI, 5000K 840 = 80 CRI, 4000K 835 = 80 CRI, 3500K 830 = 80 CRI, 3000K	DIR = Ballast Compatible