



Project:	Type:
Prepared By:	Date:

### Technical Specifications

#### Performance

**Product Type:**

Compacts

**Input Wattage:**

13.5W

**Lumens (Nominal):**

2,100lm

**Efficacy:**

156lm/W

**L70 Lifespan:**

50,000-Hour LED lifespan based on IES LM-80 results and TM-21 calculations

**Wattage Equivalency:**

FT40/2G11

#### Electrical

**THD:**

20%

**Power Factor:**

>0.9

**Dimmable:**

Not suggested for dimming applications

**Input Voltage:**

120-277V AC

**Operating Frequency:**

50/60Hz

**Operating Temperature:**

-20°C to 45°C (-4°F to 113°F)

#### LED Characteristics

**Color Accuracy (CRI):**

80

**Color Temperature:**

4000K

#### Construction

**Bulb Shape:**

PLL

**Enclosure Material:**

Polycarbonate Endcap with Glass

**Housing Finish:**

White

**Lens Finish:**

Frosted

#### Installation

**Installation Method:**

UL Type A, Plug and Play

**Burning Position:**

Horizontal

#### Other

**Technology EQ:**

CFL

**Warranty:**

RAB warrants that our LED products will be free from defects in materials and workmanship for a period of five (5) years from the date of delivery to the end user, including coverage of light output, color stability, driver performance and fixture finish. RAB's warranty is subject to all terms and conditions found at [rablighting.com/warranty](http://rablighting.com/warranty).

**Buy American Act Compliance:**

RAB values USA manufacturing! Upon request, RAB may be able to manufacture this product to be compliant with the Buy American Act (BAA). Please contact customer service to request a quote for the product to be made BAA compliant.

#### Compliance

**Listings:**

UL Listed

**Technical Specifications (continued)**

**Environment/Fixture Rating:**

Damp / Enclosed

**RoHS:**

Mercury and UV free. RoHS-compliant components.

**FCC:**

Complies with Part 15B of the FCC Rules

**Model Number for Certification:**

T10228(PLL-13.5-840-DIR)

**DLC Listed:**

This product is on the Design Lights Consortium (DLC) Qualified Products List and is eligible for rebates from DLC Member Utilities. Designed to meet DLC 5.1 requirements.

DLC Product Code: PLE45FB9KLCO

**Optical**

**Beam Angle:**

140°

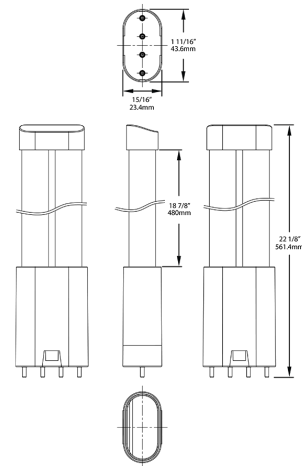
**Minimum Compartment Size**

Length x Width x Height [in]	Lamp Quantity
23	1

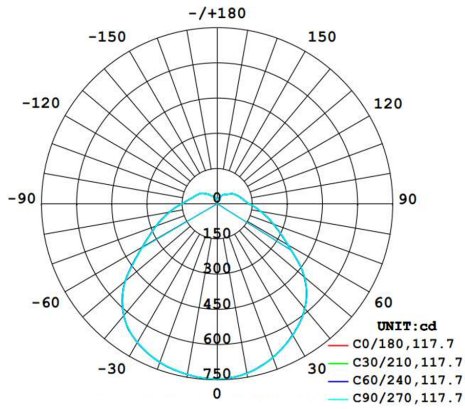
**Case and Pallet Dimensions**

	QTY	LENGTH (in)	WIDTH (in)	HEIGHT (in)
CASE	12	0	0	0
PALLET	256	0	0	0

**Dimension**



**Light Distribution**



**Features**

- Replaces 36W twin tube CFL 2G11 Lamps
- Ballast Compatible. Directly Compatible with Most Existing Electronic CFL Ballasts.
- Compatible with 2G11 (4-pin CFL) installations
- 50,000 hour Lifespan
- Environmentally friendly, no mercury used
- UL Listed
- Rated for use in enclosed and open fixtures in dry or damp locations
- 5 Year No Compromise Warranty

**Ordering Matrix**

Family	Wattage	CRI/Color Temp	Installation Type
PLL	13.5	840	DIR
	13.5 = 13.5W 14 = 14W	850 = 80 CRI, 5000K 840 = 80 CRI, 4000K 835 = 80 CRI, 3500K 830 = 80 CRI, 3000K	DIR = Ballast Compatible