

Technical Specifications (continued)

Optical

BUG Rating:

B2 U1 G1

Electrical

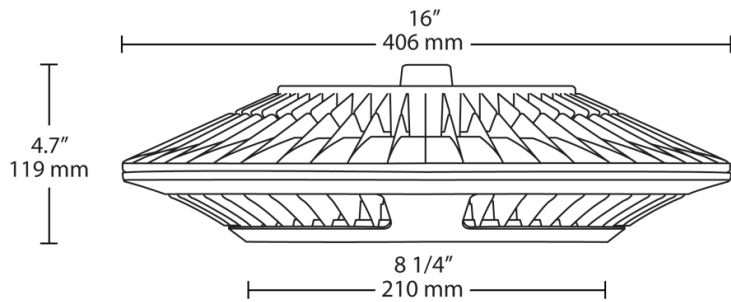
Drivers:

2x26W Driver, Constant Current, Class 2, 100V-277V,
50/60 Hz, 6kv Surge Protection, 720mA, 100-277VAC
0.4 Amps., Power Factor 99.1%.

THD:

7.7% at 120V, 10.5% at 277V

Dimensions



Features

Precision optics deliver uniform light distribution

100,000-hour LED lifespan

5-Year, No-Compromise Warranty