



LED pendant mounted fixture with precision optics for smooth and uniform distribution. Ideal for retail settings, workspace lighting and other applications requiring a high output commercial grade downlight.

Color: Bronze

Weight: 18.0 lbs

Project:

Type:

Prepared By:

Date:

**Driver Info**

Type	Constant Current
120V	0.53A
208V	0.35A
240V	0.30A
277V	0.26A
Input Watts	39.1W

**LED Info**

Watts	52W
Color Temp	5000K (Cool)
Color Accuracy	73 CRI
L70 Lifespan	100,000 Hours
Lumens	2,292 lm
Efficacy	58.6 lm/W

**Technical Specifications**

**Other**

**Bi-Level Operation:**

Allows 50% and 100% output modes

**Patents:**

The design of PLED52 is protected by patents pending in US, Canada, China, Taiwan and Mexico

**Warranty:**

RAB warrants that our LED products will be free from defects in materials and workmanship for a period of five (5) years from the date of delivery to the end user, including coverage of light output, color stability, driver performance and fixture finish. RAB's warranty is subject to all terms and conditions found at [rablighting.com/warranty](http://rablighting.com/warranty).

**Buy American Act Compliance:**

RAB values USA manufacturing! Upon request, RAB may be able to manufacture this product to be compliant with the Buy American Act (BAA). Please contact customer service to request a quote for the product to be made BAA compliant.

**Compliance**

**UL Listed:**

Suitable for wet locations

**IESNA LM-79 & lm-80 Testing:**

RAB LED luminaires and LED components have been tested by an independent laboratory in accordance with IESNA lm-79 and lm-80

**Performance**

**Lifespan:**

100,000-Hour LED lifespan based on IES LM-80 results and TM-21 calculations

**LED Characteristics**

**LEDs:**

4x13W high-output, long-life LEDs

**Color Consistency:**

7-step MacAdam Ellipse binning to achieve consistent fixture-to-fixture color

**Color Stability:**

LED color temperature is warranted to shift no more than 200K in color temperature over a 5-year period

**Color Uniformity:**

RAB's range of Correlated Color Temperature follows the guidelines of the American National Standard for Specifications for the Chromaticity of Solid State Lighting (SSL) Products, ANSI C78.377-2017.

**Construction**

**Cold Weather Starting:**

The minimum starting temperature is -40°C (-40°F)

**Housing:**

Precision die-cast aluminum housing, lens frame

**Lens:**

Clear tempered glass lens

**Gaskets:**

High-temperature silicone

**Finish:**

Formulated for high durability and long-lasting color

**Green Technology:**

Mercury and UV free. RoHS-compliant components.

**Optical**

**BUG Rating:**

B2 U1 G1

**Electrical**

**Drivers:**

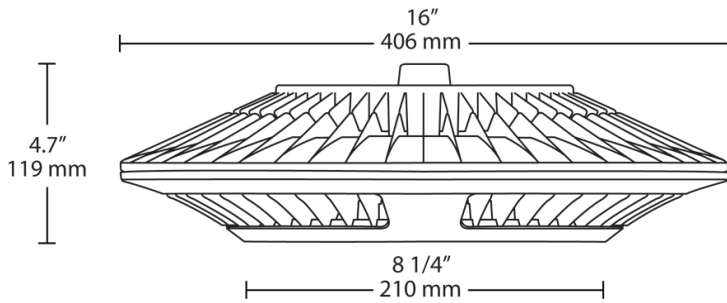
2x26W Driver, Constant Current, Class 2, 100V-277V, 50/60 Hz, 6kv Surge Protection, 720mA, 100-277VAC 0.4 Amps., THD is less than or equal to 20%, Power Factor 99.4%.

**Technical Specifications (continued)**

**THD:**

9.6% at 120V, 14.9% at 277V

**Dimensions**



**Features**

Precision optics deliver uniform light distribution

100,000-hour LED lifespan

5-Year, No-Compromise Warranty