

Project:	Type:	Prepared By:	Date:
-----------------	--------------	---------------------	--------------



Features and Benefits

- Replaces 18W/26W/32W G24d & G24q CFL Lamps
- Ballast Bypass. Integral Driver enables lamp to be wired directly to line voltage without need for an external driver or ballast
- Compatible with G24d / GX24d & G24q / GX24q installations
- 50,000 hour Lifespan
- Environmentally friendly, no mercury used
- UL Classified
- Rated for use in enclosed and open fixtures in dry or damp locations
- Non-Dimmable
- 5 Year No Compromise Warranty

Technical Specifications		
Performance	Base Type:	Input Voltage:
Product Type: Compacts	G24d	120-277V AC
Input Wattage: 9W	For Use Outdoors in Open Fixtures: No	Operating Frequency: 50/60Hz
Wattage Equivalency: 26W Fluorescent	LED Characteristics	Other
Lumens (Nominal): 1,000lm	Color Temperature: 4000K Cool White	Warranty: RAB warrants that our LED products will be free from defects in materials and workmanship for a period of five (5) years from the date of delivery to the end user, including coverage of light output, color stability, driver performance and fixture finish. RAB's warranty is subject to all terms and conditions found at rablighting.com/warranty .
Efficacy: 111lm/W	Color Accuracy (CRI): 82 CRI	Installation
L70 Lifespan: 50,000 Hours	Electrical	Installation Type: Type B, Ballast Bypass
Construction	THD: <20%	Installation Orientation: Vertical
Bulb Shape: PLC	Power Factor: 0.9	Compliance
Finish: Frosted	Operating Temperature: -20°C to 45°C (-4°F to 113°F)	UL Recognized: Yes
	Dimmable: No	

Technical Specifications (continued)

UL Classified:
Yes

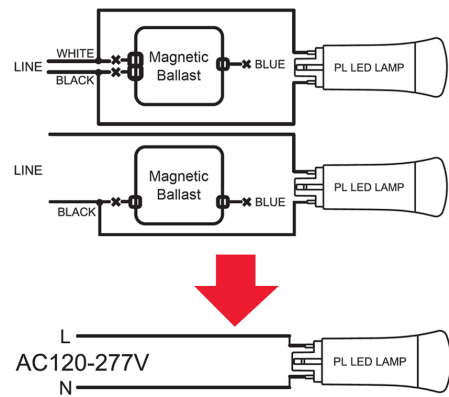
California Energy Commission (CEC) Status:
Lawful for Sales in California

Application:
Suitable for damp locations and totally enclosed fixtures.

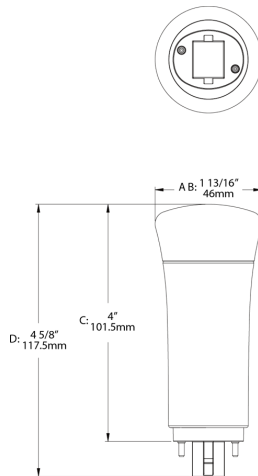
Case and Pallet Dimensions

	QTY	LENGTH (in)	WIDTH (in)	HEIGHT (in)
CASE	12	8.1	6.1	5
PALLET	3456	47.2	39.4	47.6

Wiring Diagram



Dimension



Light Distribution

