

Project:	Type:	Prepared By:	Date:
-----------------	--------------	---------------------	--------------



Features and Benefits

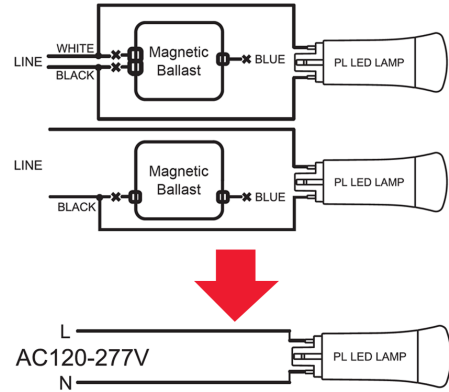
- Replaces 18W/26W/32W G24d & G24q CFL Lamps
- Ballast Bypass. Integral Driver enables lamp to be wired directly to line voltage without need for an external driver or ballast
- Compatible with G24d / GX24d & G24q / GX24q installations
- 50,000 hour Lifespan
- Environmentally friendly, no mercury used
- UL Classified
- Rated for use in enclosed and open fixtures in dry or damp locations
- Non-Dimmable
- 5 Year No Compromise Warranty

Technical Specifications		
<p>Performance</p> <p>Product Type: Compacts</p> <p>Input Wattage: 9W</p> <p>Efficacy: 100lm/W</p> <p>L70 Lifespan: 50,000 Hours</p> <p>Construction</p> <p>Bulb Shape: PLC</p> <p>Finish: Frosted</p> <p>Base Type: G24d/G24q</p> <p>For Use Outdoors in Open Fixtures: No</p>	<p>LED Characteristics</p> <p>Color Temperature: 2700K Soft White</p> <p>Color Accuracy (CRI): 82 CRI</p> <p>Electrical</p> <p>Operating Frequency: 50/60Hz</p> <p>Input Voltage: 120-277V AC</p> <p>Installation</p> <p>Installation Type: Type B, Ballast Bypass</p> <p>Installation Orientation: Vertical</p> <p>Compliance</p> <p>California Energy Commission (CEC) Status: Lawful for Sales in California</p>	<p>Application: Suitable for damp locations and totally enclosed fixtures.</p>

Case and Pallet Dimensions

	QTY	LENGTH (in)	WIDTH (in)	HEIGHT (in)
CASE	12	8.1	6.1	5
PALLET	2880	0	0	0

Wiring Diagram



Dimension

