

| | | | |
|-----------------|--------------|---------------------|--------------|
| Project: | Type: | Prepared By: | Date: |
|-----------------|--------------|---------------------|--------------|



Features and Benefits

- Replaces 18W/26W/32W G24d & G24q CFL Lamps
- Ballast Bypass. Integral Driver enables lamp to be wired directly to line voltage without need for an external driver or ballast
- Compatible with G24d / GX24d & G24q / GX24q installations
- 50,000 hour Lifespan
- Environmentally friendly, no mercury used
- UL Classified
- Rated for use in enclosed and open fixtures in dry or damp locations
- Non-Dimmable
- 5 Year No Compromise Warranty

| Technical Specifications | | |
|--|--|---|
| Performance | Base Type: | Input Voltage: |
| Product Type: Compacts | G24d | 120-277V AC |
| Input Wattage: 9W | For Use Outdoors in Open Fixtures: No | Operating Frequency: 50/60Hz |
| Wattage Equivalency: 26W Fluorescent | LED Characteristics | Other |
| Lumens (Nominal): 950lm | Color Temperature: 3500K Neutral White | Warranty: RAB warrants that our LED products will be free from defects in materials and workmanship for a period of five (5) years from the date of delivery to the end user, including coverage of light output, color stability, driver performance and fixture finish. RAB's warranty is subject to all terms and conditions found at rablighting.com/warranty . |
| Efficacy: 106lm/W | Color Accuracy (CRI): 82 CRI | Installation |
| L70 Lifespan: 50,000 Hours | Electrical | Installation Type: Type B, Ballast Bypass |
| Construction | THD: <20% | Installation Orientation: Horizontal |
| Bulb Shape: PLC | Power Factor: 0.9 | Compliance |
| Finish: Frosted | Operating Temperature: -20°C to 45°C (-4°F to 113°F) | UL Recognized: Yes |
| | Dimmable: No | |

Technical Specifications (continued)

UL Classified:

Yes

California Energy Commission (CEC) Status:

Lawful for Sales in California

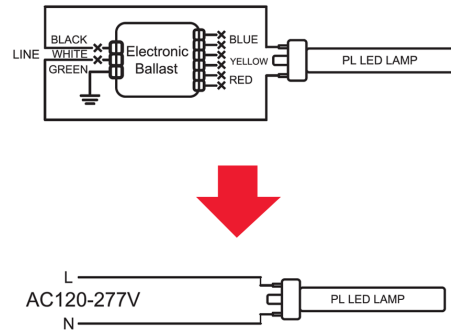
Application:

Suitable for damp locations and totally enclosed fixtures.

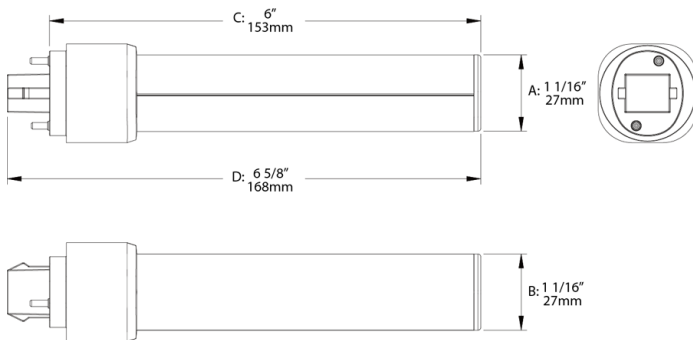
Case and Pallet Dimensions

| | QTY | LENGTH (in) | WIDTH (in) | HEIGHT (in) |
|--------|------|-------------|------------|-------------|
| CASE | 12 | 6.5 | 4.9 | 7 |
| PALLET | 4032 | 47.2 | 39.4 | 49.6 |

Wiring Diagram



Dimension



Light Distribution

