

<b>Project:</b>	<b>Type:</b>	<b>Prepared By:</b>	<b>Date:</b>
-----------------	--------------	---------------------	--------------



### Features and Benefits

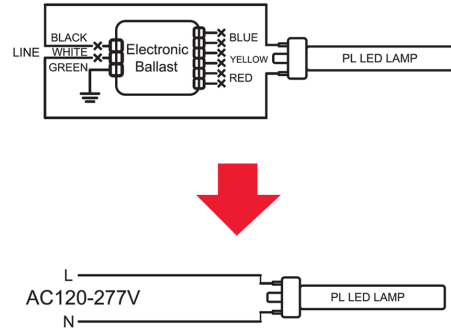
- Replaces 18W/26W/32W G24d & G24q CFL Lamps
- Ballast Bypass. Integral Driver enables lamp to be wired directly to line voltage without need for an external driver or ballast
- Compatible with G24d / GX24d & G24q / GX24q installations
- 50,000 hour Lifespan
- Environmentally friendly, no mercury used
- UL Classified
- Rated for use in enclosed and open fixtures in dry or damp locations
- Non-Dimmable
- 5 Year No Compromise Warranty

Technical Specifications		
<b>Performance</b> <hr/> <b>Product Type:</b> Compacts  <b>Input Wattage:</b> 9W  <b>Efficacy:</b> 100lm/W  <b>L70 Lifespan:</b> 50,000 Hours  <b>Construction</b> <hr/> <b>Bulb Shape:</b> PLC  <b>Finish:</b> Frosted  <b>Base Type:</b> G24d/G24q  <b>For Use Outdoors in Open Fixtures:</b> No	<b>LED Characteristics</b> <hr/> <b>Color Temperature:</b> 2700K Soft White  <b>Color Accuracy (CRI):</b> 82 CRI  <b>Electrical</b> <hr/> <b>Operating Frequency:</b> 50/60Hz  <b>Input Voltage:</b> 120-277V AC  <b>Installation</b> <hr/> <b>Installation Type:</b> Type B, Ballast Bypass  <b>Installation Orientation:</b> Horizontal  <b>Compliance</b> <hr/> <b>California Energy Commission (CEC) Status:</b> Lawful for Sales in California	<b>Application:</b> Suitable for damp locations and totally enclosed fixtures.

**Case and Pallet Dimensions**

	QTY	LENGTH (in)	WIDTH (in)	HEIGHT (in)
CASE	12	6.5	4.9	7
PALLET	3384	0	0	0

**Wiring Diagram**



**Dimension**

