



Weight: 0.0 lbs

Project:	Type:
Prepared By:	Date:

Technical Specifications

Performance

Product Type:

Low Voltage Controller

Description:

The Lightcloud Blue High Bay Low-Voltage Controller is a controller with a 12V AUX supply, integrated dual-technology PIR motion detector, and daylight sensor that can be quickly and easily installed on compatible LED fixtures.

L70 Lifespan:

50,000-Hour LED lifespan based on IES LM-70 results

Lightcloud

Lightcloud Blue:

Lightcloud Blue is a Bluetooth mesh wireless lighting control system that allows you to control RAB's various compatible devices. With RAB's patent-pending Rapid Provisioning technology, devices can be quickly and easily commissioned for residential and large commercial applications using the Lightcloud Blue mobile app. Each device in a system can communicate with any other device, eliminating the need for a Gateway or Hub and maximizing the control system's reach.

DLC system - N1XMLOEATBA

[Learn more at www.lightcloud.com](http://www.lightcloud.com)

Gateway Required:

No

Communication Protocol:

Bluetooth Mesh

Range:

Up to 60 feet between standard building materials. Building materials such as brick, concrete, and steel construction may require additional Lightcloud Blue devices to extend around an obstruction. Up to 200 feet clear line of sight.

Spacing Criteria:

Lightcloud Blue devices should be placed within the specified range to communicate within the Bluetooth Mesh network.

Factory Reset:

Method 1: Delete from App
Open the app and access the device settings for the paired device. Be sure that the device is online and select 'Delete'.

Method 2: Rapid Reset Tool
The Rapid Reset process must be done by a professional electrician qualified by RAB. Reach out to your RAB sales manager to request a Rapid Reset Tool. The tool simply needs to be placed directly on the side of the device for 2s or until the fixture flashes 3x, then resets to 100% brightness.

Electrical

Input Voltage:

12VDC

Operating Frequency:

50/60Hz

Input Current @ 12V (mA):

30mA

Operating Temperature:

-40°F to 140°F (-20°C to 60°C)

Dimmable:

Yes, when connected to a compatible 0-10V driver

Max Mounting Height:

40 ft

Detection Range:

40 ft diameter mounted at 40 ft

Sensor Settings

Sensor Type:

Passive Infrared (PIR)

Technical Specifications (continued)**Default Setting:**

Uncommissioned State:
 Motion Sensitivity: High
 Brightness when triggered : 100%
 Hold time: 1 minute
 Standby to dim: 20%
 Standby time: 1 minute
 When vacant: Off

Commissioned State:
 Motion Sensitivity: High
 Brightness when triggered: Last on status
 Hold time: 20 minutes
 When vacant: Off

Sensing Type:

Occupancy or Vacancy

Occupied Actions:

On or On at a Dim Level

Vacant Options:

Off or On at a Dim Level

Occupancy Timeout:

1 minute to 240 minutes

Daylight Sensing:

The sensor will determine to trigger the light(s) on or not based on the daylight threshold level set in the Lightcloud Blue mobile app.

Daylight Threshold:

150 lux to 1500 lux

Construction**Finish:**

White

Shape:

Round

Enclosure Material:

Plastic

Compliance**Environment:**

Suitable for dry, damp, or wet environments in indoor applications

IP Rating:

IP65

DLC Listed:

This product is on the Design Lights Consortium (DLC) Qualified Products List and is eligible for rebates from DLC Member Utilities. Designed to meet DLC 5.1 requirements.
 DLC Product Code: N1XMLOEATBA
[Learn more about Lightcloud.com.](#)

DLC ID:

N1XMLOEATBA

Model Number for Certification:

PIR40/LCB

T20 Compliant:

Not Compliant

California Title 24 JA8 Compliant:

Not Compliant

California Energy Commission (CEC) Status:

Lawful for Sales in California

RoHS:

Mercury and UV free. RoHS-compliant components.

FCC:

Complies with Part 15B of the FCC Rules

Other**Compatible Products:**

[Field Adjustable H17 & H17XL](#)

[RBAY17S/M/L](#)

[Field Adjustable SEAL 2', 4', 8' \(requires RAAS\)](#)

[SR Strip 2', 4', 8' \(requires RAAS\)](#)

Warranty:

RAB warrants that our LED products will be free from defects in materials and workmanship for a period of five (5) years from the date of delivery to the end user, including coverage of light output, color stability, driver performance and fixture finish. RAB's warranty is subject to all terms and conditions found at rablighting.com/warranty.

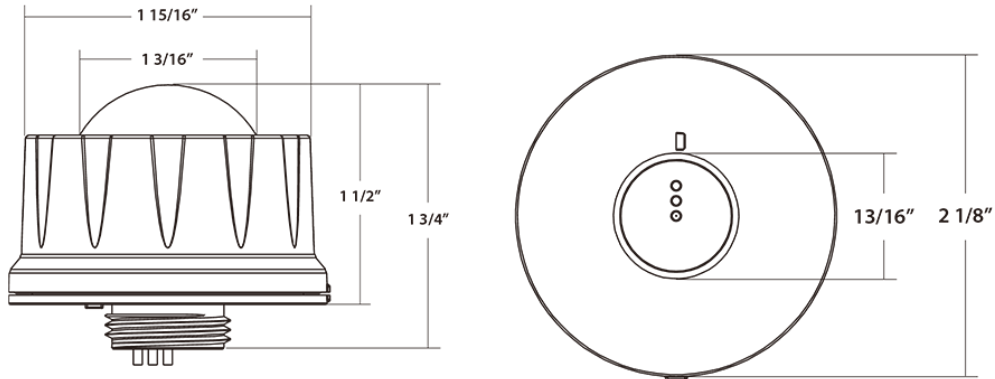
Note:

All values are typical (tolerance +/- 10%)

Buy American Act Compliance:

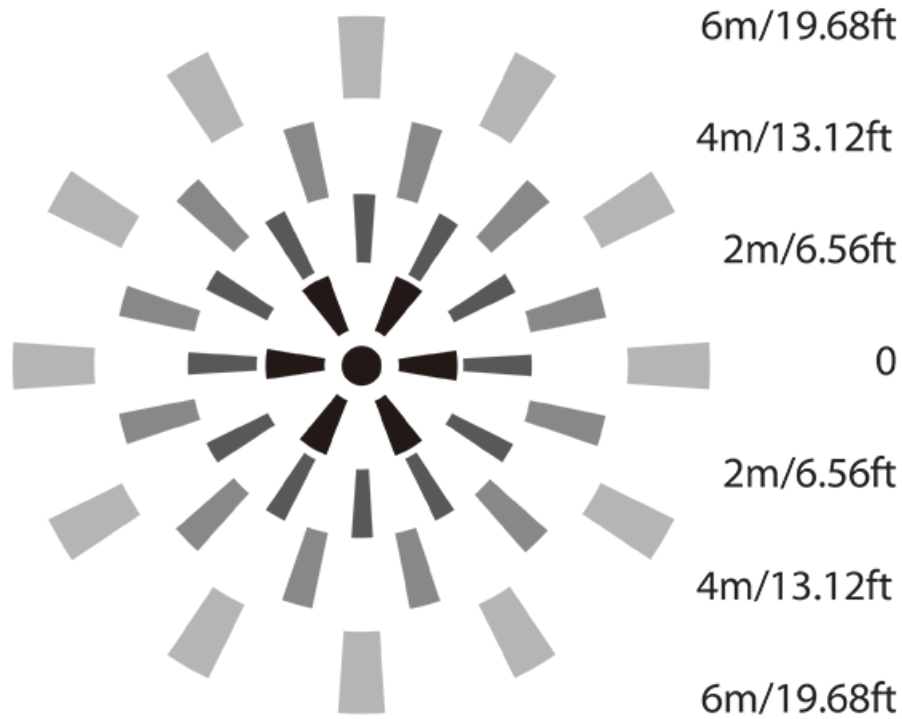
RAB values USA manufacturing! Upon request, RAB may be able to manufacture this product to be compliant with the Buy American Act (BAA). Please contact customer service to request a quote for the product to be made BAA compliant.

Dimensions



Coverage Pattern

Highest ceiling mounted height is 12m/39.37ft.



Radius of detection range is 3-6m/9.84-19.68ft.

