

INSTRUCTIONS

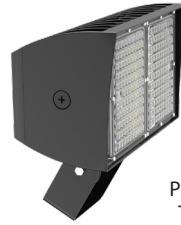
PIP® XL 70W 100W INSTALLATION

RAB®

RAB Lighting is committed to creating high-quality, affordable, well-designed and energy-efficient LED lighting and controls that make it easy for electricians to install and end users to save energy. We'd love to hear your comments. Please call the Marketing Department at 888-RAB-1000 or email: marketing@rablighting.com



PIP XL with Slipfitter



PIP XL with Trunnion

IMPORTANT

READ CAREFULLY BEFORE INSTALLING FIXTURE. RETAIN THESE INSTRUCTIONS FOR FUTURE REFERENCE.

RAB fixtures must be wired in accordance with the National Electrical Code and all applicable local codes. Proper grounding is required for safety. THIS PRODUCT MUST BE INSTALLED IN ACCORDANCE WITH THE APPLICABLE INSTALLATION CODE BY A PERSON FAMILIAR WITH THE CONSTRUCTION AND OPERATION OF THE PRODUCT AND THE HAZARDS INVOLVED.

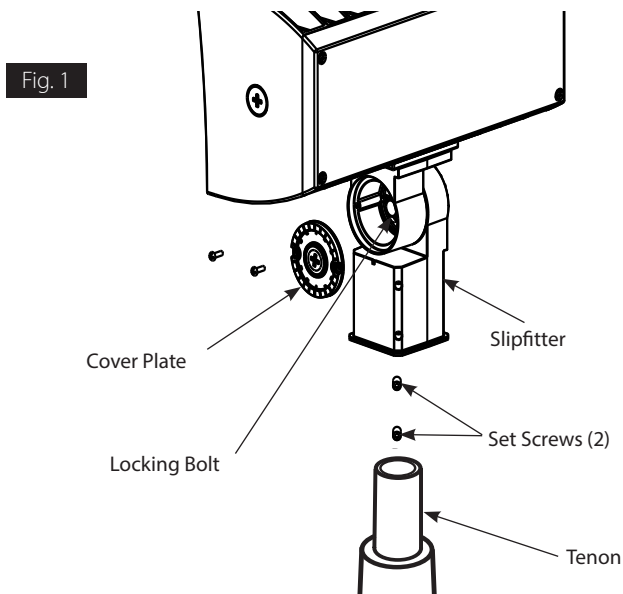
WARNING: Make certain power is OFF before installing the fixture. No user serviceable parts inside.

WARNING: RISK OF SERIOUS INJURY OR DEATH!

DO NOT MOUNT THE SLIPFITTER TO A TENON OR BRACKET THAT IS MORE THAN 20 DEGREES FROM VERTICAL. **MOUNTING AT ANY ANGLE OTHER THAN 0-20 DEGREES INCREASES THE RISK OF DISENGAGEMENT AND/OR FAILURE OF THE SLIPFITTER.** INSTALL THE POLE ON A SECURE BASE OR INSTALL THE BRACKET TO A WALL FIRST. THEN PLACE LUMINAIRE ONTO THE POLE OR BRACKET. **DO NOT LIFT ASSEMBLED LUMINAIRE OR POLE OR LUMINAIRE & BRACKET. LUMINAIRE OR POLE/BRACKET MAY DISENGAGE.**

SLIPFITTER MOUNTING

1. The Slipfitter mounting fits a 2 3/8" O.D. **Tenon** as shown in *Fig. 1*. Place the Slipfitter over the **Tenon** and secure the fixture with the **Set Screws (2)** on the side of the Slipfitter.
2. Remove two screws on side of **Cover Plate**. Remove the **Cover Plate** and adjust the angle of the fixture.
3. Loosen the **Locking Bolt** and swivel fixture to desired angle.
4. Tighten the **Locking Bolt** and re-attach **Cover Plate**.

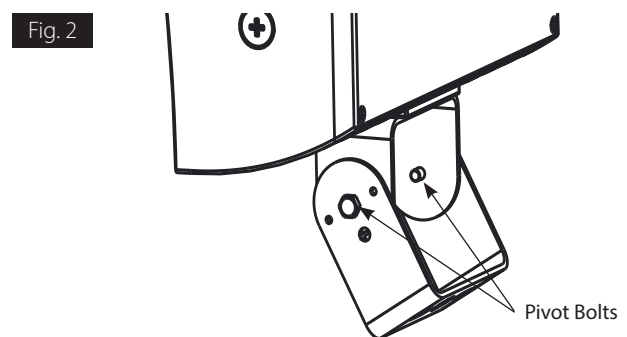


TRUNNION MOUNTING

CAUTION: UL and C-UL listed or CSA certified liquid tight cord grip suitable for use with STW flexible cord shall be used for connection to a wet location outlet box provided by others.

To adjust the angle of the fixture using the Trunnion see Fig. 2. Loosen the **Pivot Bolts** & angle locking screw.

1. Adjust fixture to desired angle.
2. Tighten **Pivot Bolts** & angle locking screw.



INSTRUCTIONS

PIP® XL 70W 100W INSTALLATION

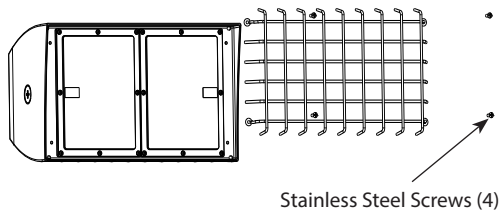


RAB Lighting is committed to creating high-quality, affordable, well-designed and energy-efficient LED lighting and controls that make it easy for electricians to install and end users to save energy. We'd love to hear your comments. Please call the Marketing Department at 888-RAB-1000 or email: marketing@rablighting.com

WIRE GUARD INSTALLATION

Wire Guard mount with (4) #8-32 **Stainless Steel Screws** as shown in **Fig 3**. Screws are provided with the accessory. Line up guard with existing pre-drilled holes in frame as shown, tighten screws.

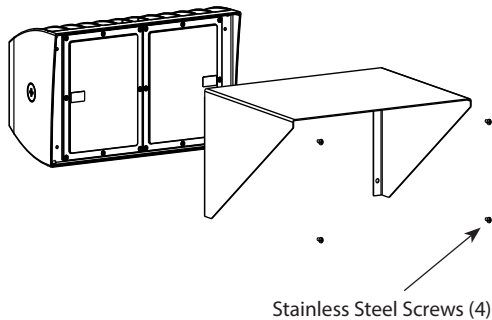
Fig. 3



HOOD INSTALLATION

Hood mount with (4) #8-32 **Stainless Steel Screws** as shown in **Fig 4**. Screws are provided with the accessory. Line up guard with existing pre-drilled holes in frame as shown, tighten screws.

Fig. 4



ACCESSORIES

Wire Guard:	GDPIPXLW
12" Hood:	HPIPXL-12
Slipfitter Mount Replacement:	FFLEDXLSF
Trunnion Mount Replacement:	FFLEDXLT

RECEPTACLE OPTION

Units ordered with (/PCT) suffix is supplied with 3 wire receptacle and 120-277V Twistlock Photocell. Units ordered with (/PCT4) is supplied with 3 wire receptacle and 480V Twistlock Photocell.

Units ordered with (/PPR) suffix is supplied with 7-Pin receptacle without photocell. Brown and Orange wires from the 7-Pin receptacle are not connected and are reserved to DALI or other control systems.

BI-LEVEL DIMMER OPTION

For 100% light output (*disabling the dimmer*), splice red wire with black line wire.

For chosen output only, leave red wire capped.

For Bilevel Function, connect red wire to switched device.

Determine what % light output is desired and set switch prior to installation. Options are: 25%, 50%, and 75%.

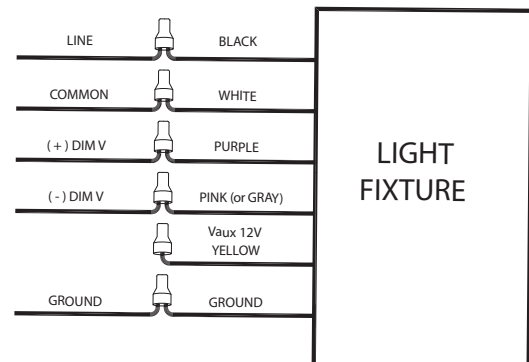
0-10V DIMMABLE WIRING

Universal voltage driver permits operation at 120V thru 277V, 50 or 60 Hz. For fixtures with Trunnion mounting, a 5-wire cord will be provided. 0-10V control wires must be rated for 300V minimum. Units ordered with (/480V) suffix are 480V, 50Hz or 60Hz and suffix (/PCU) are with 120V-277V button photocell. For 0-10V Dimming, follow the wiring directions as shown in **Fig 5**.

1. Connect the **Black** fixture lead to the **LINE** supply lead.
2. Connect the **White** fixture lead to the **COMMON** supply lead.
3. Connect the **GROUND** wire from fixture to supply ground.
4. Connect the **Purple** fixture lead to the **(V+) DIM** lead.
5. Connect the **Pink (or gray)** fixture lead to the **(V-) DIM** lead.
6. Cap the **Yellow** fixture lead. **DO NOT** connect.

NOTE: Do not connect DIM V+ (purple)/ DIM V- (pink or gray) to line voltage or supply ground.

Fig. 5



INSTRUCTIONS

PIP® XL 70W 100W INSTALLATION



RAB Lighting is committed to creating high-quality, affordable, well-designed and energy-efficient LED lighting and controls that make it easy for electricians to install and end users to save energy. We'd love to hear your comments. Please call the Marketing Department at 888-RAB-1000 or email: marketing@rablighting.com

CLEANING & MAINTENANCE

CAUTION: *Be sure fixture temperature is cool enough to touch. Do not clean or maintain while fixture is energized.*

1. Lens should be washed in a solution of warm water and any mild, non-abrasive household detergent, rinsed with clean water and wiped dry.
2. Do not open the fixture to clean the LED. Do not touch the LED.

TROUBLESHOOTING

1. Check that the line voltage at fixture is correct. Refer to wiring directions.
2. Be sure the fixture is grounded properly.
3. Ensure the photocell, if used, is functioning properly.

Note: *These instructions do not cover all details or variations in equipment nor do they provide for every possible situation during installation, operation or maintenance.*



© 2021 RAB LIGHTING Inc.

Easy Answers

rablighting.com
Visit our website for product info

Tech Help Line
Call our experts: 888 722-1000

e-mail
Answered promptly - sales@rablighting.com

Free Lighting Layouts
Answered online or by request