

# INSTRUCTIONS

## PARK34™ INSTALLATION

# RAB®

RAB Lighting is committed to creating high-quality, affordable, well-designed and energy-efficient LED lighting and controls that make it easy for electricians to install and end users to save energy. We'd love to hear your comments. Please call the Marketing Department at 888-RAB-1000 or email: [marketing@rablighting.com](mailto:marketing@rablighting.com)



PARK34™

### IMPORTANT

#### **READ CAREFULLY BEFORE INSTALLING FIXTURE. RETAIN THESE INSTRUCTIONS FOR FUTURE REFERENCE.**

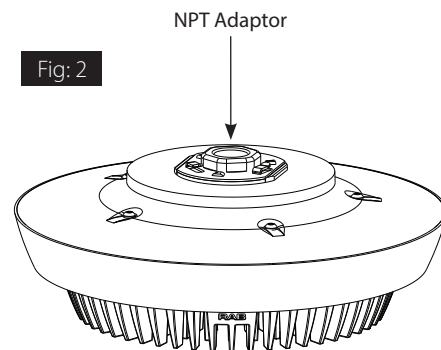
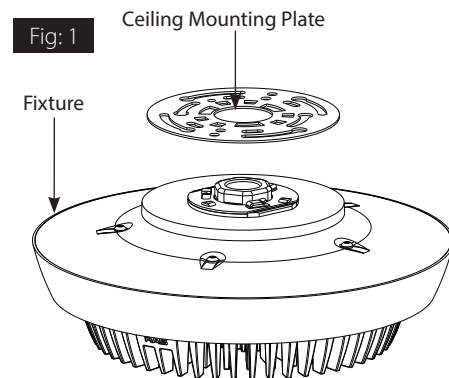
RAB fixtures must be wired in accordance with the National Electrical Code and all applicable local codes. Proper grounding is required for safety. THIS PRODUCT MUST BE INSTALLED IN ACCORDANCE WITH THE APPLICABLE INSTALLATION CODE BY A PERSON FAMILIAR WITH THE CONSTRUCTION AND OPERATION OF THE PRODUCT AND THE HAZARDS INVOLVED.

**WARNING: Make certain power is OFF before installing or maintaining fixture. No user serviceable parts inside.**

## CEILING MOUNT

The Fixture is suitable for outdoor applications in wet locations.

1. Mount **Ceiling Mounting Plate** to junction box (*not supplied*), see **Fig. 3** for **Mounting Pattern**. Use the appropriate mounting hardware for the mounting surface. May alternately be mounted to recessed junction boxes.
2. Pull supply wires from junction box (*not supplied*). Use the appropriate wire connectors as required by code to make electrical splices to fixture leads.
3. Once connections are made push all wires back into junction box (*not supplied*). Be careful not to pinch wires.  
**WARNING: To prevent wiring damage or abrasion, do not expose wiring to edges or sharp objects.**
4. Push **Fixture** into **Ceiling Mounting Plate** and rotate clockwise to lock in place, **Fixture** will snap into position. Once in position the **Fixture** should be tight and not easily rotated counter-clockwise.



## PENDANT MOUNT

Fixture can be mounted to a 1/2" or 3/4" NPT Pendant. 3/4" to 1/2" NPT Adaptor is included.

1. Feed supply wires through pendant (*supplied by others*). Wrap Teflon® Tape or other thread sealer to the pendant threads to prevent moisture entry.
2. Remove **Ceiling Mounting Plate**.
3. Make wire connections using supplied wire nuts and feed into the fixture.
4. Thread the **Housing** onto Pendant. For 3/4" Pendant remove **NPT Adaptor** (*Fig. 2*).

# INSTRUCTIONS

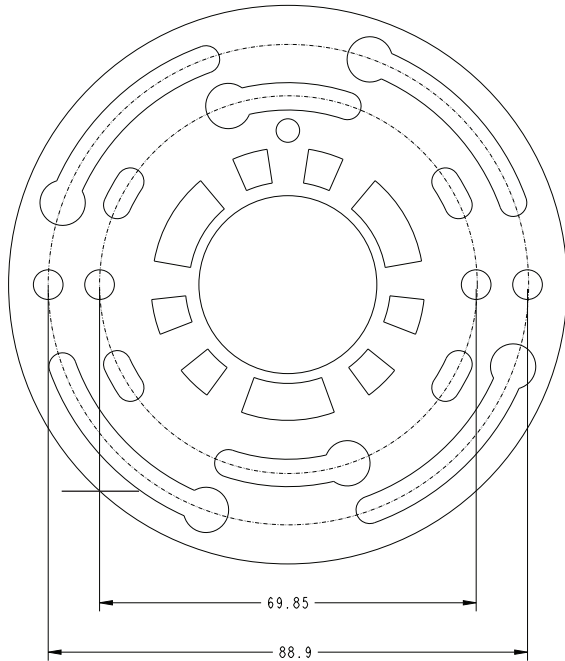
## PARK34™ INSTALLATION



RAB Lighting is committed to creating high-quality, affordable, well-designed and energy-efficient LED lighting and controls that make it easy for electricians to install and end users to save energy. We'd love to hear your comments. Please call the Marketing Department at 888-RAB-1000 or email: [marketing@rablighting.com](mailto:marketing@rablighting.com)

### MOUNTING PATTERN

Fig: 3



### ON-OFF WIRING

**PARK34/120** series operates at 120V, 50 or 60Hz **only**.

**PARK34/277** series operates at 277V, 50 or 60Hz **only**.

Follow the wiring directions as shown in Fig. 4.

1. Connect the black fixture lead to the **LINE** supply lead.
2. Connect the white fixture lead to the **COMMON** supply lead.
3. Connect the **GROUND** wire from fixture to supply ground.

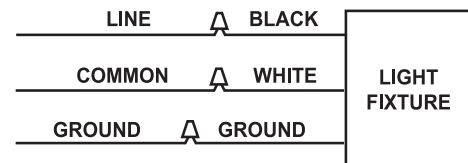


Fig: 4

### CLEANING & MAINTENANCE

**CAUTION:** Be sure fixture temperature is cool enough to touch. Do not clean or maintain while fixture is energized.

1. Clean polycarbonate lens with non-abrasive cleaning solution.
2. Do not open the fixture to clean the LEDs. Do not touch the LEDs.

### PASSIVE INFRARED SENSOR / BI-LEVEL

For units ordered with /PIR/BL suffix the default settings are:

1. When motion is detected the fixture will operate at 100% light output.
2. If no motion is detected after 20 minutes the fixture will dim to 30% light output.
3. These settings are not adjustable.

### TROUBLESHOOTING

1. Check that the line voltage at the fixture is correct. Refer to wiring directions.
2. Be sure the fixture is grounded properly.
3. Is the photocell, if used, functioning properly?

*Note:* These instructions do not cover all details or variations in equipment nor do they provide for every possible situation during installation, operation or maintenance.



© 2022 RAB LIGHTING Inc.

#### Easy Answers

[rablighting.com](http://rablighting.com)  
Visit our website for product info

**Tech Help Line**  
Call our experts: 888 722-1000

**e-mail**  
Answered promptly - [sales@rablighting.com](mailto:sales@rablighting.com)

**Free Lighting Layouts**  
Answered online or by request

PARK34-IN 0622  
P-100071

**RAB WARRANTY:** RAB's warranty is subject to all terms and conditions found at [rablighting.com/warranty](http://rablighting.com/warranty) **PATENT:** Patent information can be found at [rablighting.com/ip](http://rablighting.com/ip)