



Project:	Type:
Prepared By:	Date:

Driver Info		LED Info	
Type	Constant Current	Watts	45W
120V	0.38A	Color Temp	5000K (Cool)
208V	N/A	Color Accuracy	76 CRI
240V	N/A	L70 Lifespan	100,000 Hours
277V	N/A	Lumens	5,629 lm
Input Watts	45.2W	Efficacy	124.5

Technical Specifications

Compliance

UL Listed:

Suitable for wet locations

IP Rating:

Ingress protection rating of IP65 for dust and water

Trade Agreements Act Compliant:

This product is a product of Cambodia and a "designated country" end product that complies with the Trade Agreements Act

DLC Listed:

This product is on the Design Lights Consortium (DLC) Qualified Products List and is eligible for rebates from DLC Member Utilities. Designed to meet DLC 5.1 requirements.
DLC Product Code: S-B1PUE0

LED Characteristics

LEDs:

Long-life, high-efficacy, surface-mount LEDs

Electrical

Driver:

Driver on board, Class B, 50/60 Hz, 120V: 0.38A

Dimming Driver:

Integrated/embedded reverse Phase-Cut stepped luminaire-level dimming control. Ten discrete dimming steps plus off and full on are accomplished by modification of the voltage, current, and waveform to produce varying light output. Controller is remote located from fixture or junction box or can be located by the electrical panel.

THD:

4.94% at 120V

Power Factor:

99.4% at 120V

Surge Protection:

3kA

Performance

Lifespan:

100,000-Hour LED lifespan based on IES LM-80 results and TM-21 calculations

Wattage Equivalency:

Equivalent to 175W Metal Halide

Construction

Cold Weather Starting:

The minimum starting temperature is -40°C (-40°F)

Maximum Ambient Temperature:

Suitable for use in up to 40°C (104°F)

Sensor Specifications

Maximum Mounting Height:

13 ft

Voltage:

5V

Dimming:

Default factory setting: 30% dimming output

Operating Temperature:

-20°C to 60°C (-4°F to 140°F)

Storage Temperature:

20°C- 70°C (-40°F - 158°F)

Operating Humidity:

5% - 93% without condensation

IP Rating:

IP20

Warm Up Time:

45s +/-5s

Standby (w):

<0.3W

Technical Specifications (continued)

Module Interaction:

Wire AWG 22 (Grey Dim -, Purple Dim +, Yellow 5V DC)

Bi-Level:

30% after 20min delay then 3s to 30%

Other

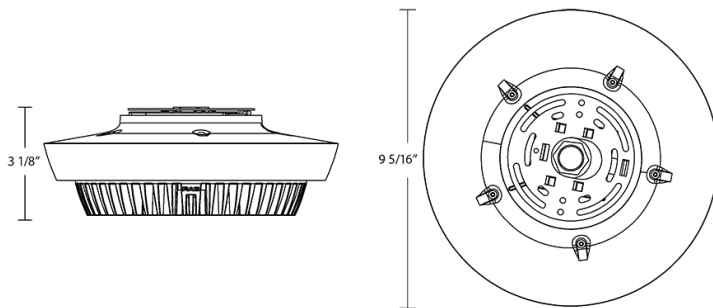
5 Yr Limited Warranty:

The RAB 5-year, limited warranty covers light output, driver performance and paint finish. RAB's warranty is subject to all terms and conditions found at rablighting.com/warranty.

Buy American Act Compliance:

RAB values USA manufacturing! Upon request, RAB may be able to manufacture this product to be compliant with the Buy American Act (BAA). Please contact customer service to request a quote for the product to be made BAA compliant.

Dimensions



Features

- IP65 Rated
- 100,000-Hour LED lifespan
- 5-Year, limited warranty

Ordering Matrix

Family	Wattage	Color Temp	Finish	Voltage	Options
PARK34	-	45	W	/120	/PIR/BL
	30 = 30W 45 = 45W 60 = 60W	Blank = 5000K Cool N = 4000K Neutral	W = White	/120 = 120V /277 = 277V	Blank = No Option /PIR/BL = Passive Infrared Sensor w/ Bi-Level