

Project: _____ Type: _____ Prepared By: _____ Date: _____



Features and Benefits

- Replacement for High output incandescent/halogen or ceramic metal halide HID Lamps
- Commercial Grade
- Large metal heatsink for optimal heat dissipation
- In HID retrofit applications - Integral Driver enables lamp to be wired directly to line voltage. Must bypass ballast
- Produces rich and vibrant colors >90CRI
- Energy efficient replacement for incandescent and halogen PAR lamps
- Constructed from durable materials which lowers risk of breakage
- Rated for use in enclosed and open fixtures in dry and damp locations
- Single optic and full face lens for precise beam angle control
- Longer lifespan compared to legacy equivalents minimizes replacement and maintenance costs
- Title 20 Compliant, Energy Star Compliant, UL Listed
- Non-dimmable

Technical Specifications		
<p>Performance</p> <p>Product Type: HID Replacement</p> <p>Input Wattage: 26W</p> <p>Lumens (Nominal): 2,400lm</p> <p>Efficacy: 92lm/W</p> <p>L70 Lifespan: 40,000 Hours</p> <p>Construction</p> <p>Bulb Shape: PAR38</p> <p>Base Type: E26 Edison</p> <p>For Use Outdoors in Open Fixtures: No</p>	<p>LED Characteristics</p> <p>Color Temperature: 3000K Warm White</p> <p>Color Accuracy (CRI): 90 CRI</p> <p>R9 Value: >50</p> <p>Electrical</p> <p>Power Factor: 0.9</p> <p>Operating Temperature: -20°C to 45°C (-4°F to 113°F)</p> <p>Dimmable: No</p> <p>Input Voltage: 120-277V AC</p> <p>Input Current @ 120V: 225mA</p>	<p>Input Current @ 277V: 105mA</p> <p>Operating Frequency: 60 Hz</p> <p>Flicker: <30%</p> <p>Optical</p> <p>Beam Angle: 40°</p> <p>Other</p> <p>Warranty: RAB warrants that our LED products will be free from defects in materials and workmanship for a period of four (4) years from the date of delivery to the end user, including coverage of light output, color stability, driver performance and fixture finish. RAB's warranty is subject to all terms and conditions found at rablighting.com/warranty.</p> <p>Compliance</p> <p>UL Listed: Yes</p>

Technical Specifications (continued)

Energy Star Approved:

This product is ENERGY STAR® Version 2.0 Certified

Energy Star ID:

2330062

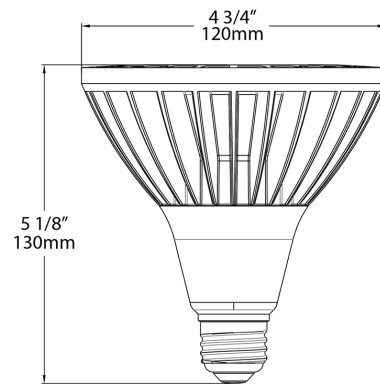
California Energy Commission (CEC) Status:

Lawful for Sales in California

Case and Pallet Dimensions

	QTY	LENGTH (in)	WIDTH (in)	HEIGHT (in)
CASE	6	15.1	10.2	6
PALLET	360	45.4	35.5	48.5

Dimension



Light Distribution

